



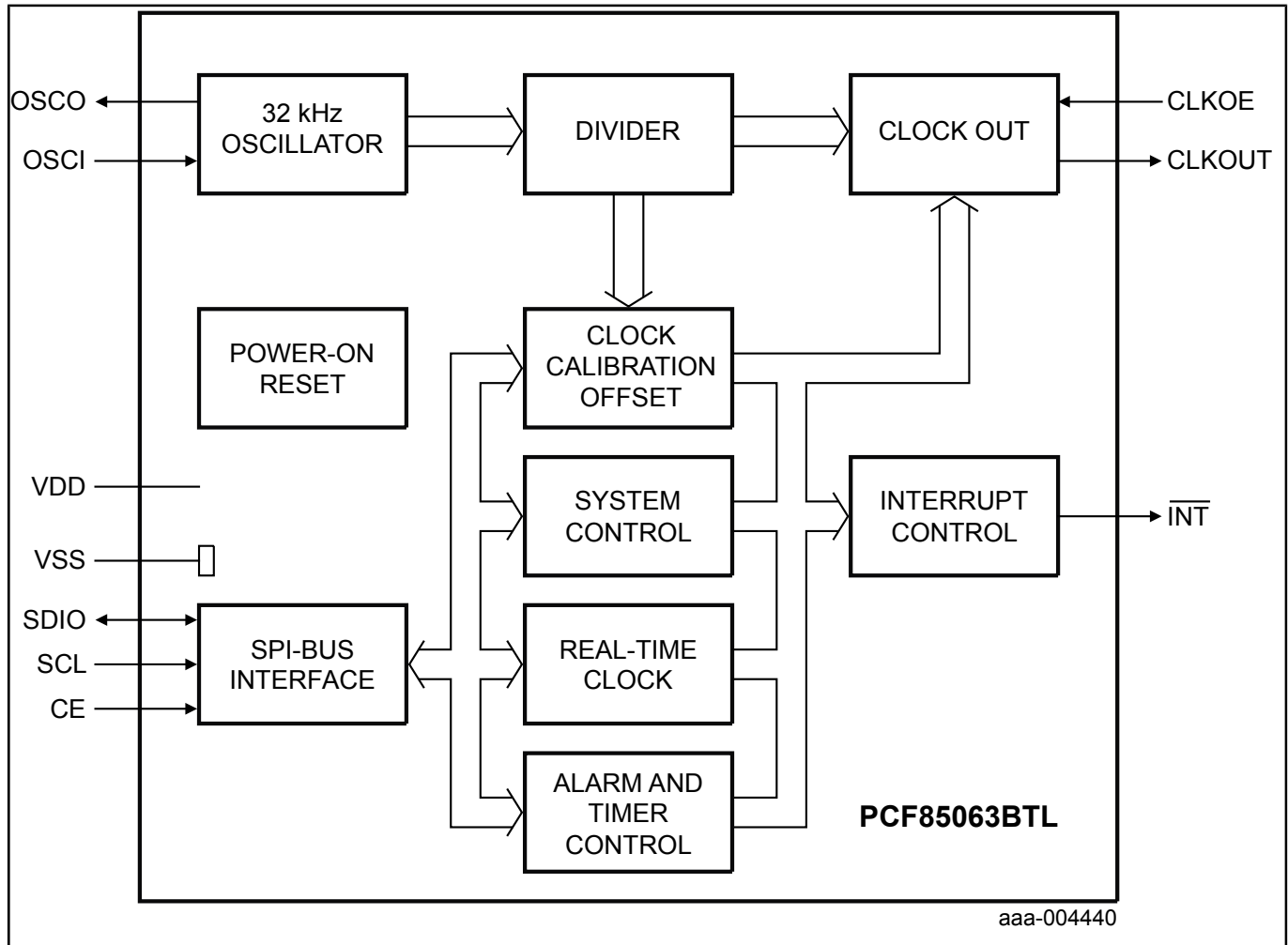
Tiny Real-Time Clock/Calendar with Alarm Function and SPI-Bus

PCF85063B

Last Updated: Mar 10, 2025

The PCF85063BTL is a CMOS Real-Time Clock (RTC) and calendar optimized for low power consumption. An offset register allows fine-tuning of the clock. All addresses and data are transferred serially via a Serial Peripheral Interface (SPI#bus) with a maximum data rate of 7 Mbit/s. The register address is incremented automatically after each written or read data byte.

PCF85063BTL Block Diagram



View additional information for [Tiny Real-Time Clock/Calendar with Alarm Function and SPI-Bus](#).

Note: The information on this document is subject to change without notice.

www.nxp.com

NXP and the NXP logo are trademarks of NXP B.V. All other product or service names are the property of their respective owners. The related technology may be protected by any or all of patents, copyrights, designs and trade secrets. All rights reserved. © 2025 NXP B.V.