



16-Bit I²C-Bus and SMBus Low-Power I/O Port with Interrupt and Reset

PCA9539_PCA9539R

Last Updated: Aug 17, 2023

The PCA9539; PCA9539R is a 24-pin CMOS device that provides 16 bits of General Purpose parallel Input/Output (GPIO) expansion with interrupt and reset for I²C-bus/SMBus applications and was developed to enhance the NXP Semiconductors family of I²C-bus I/O expanders. I/O expanders provide a simple solution when additional I/O is needed for ACPI power switches, sensors, push buttons, LEDs, fans, etc.

The PCA9539; PCA9539R consists of two 8-bit configuration (input or output selection), input, output and polarity inversion (active HIGH or active LOW operation) registers. The system controller can enable the I/Os as either inputs or outputs by writing to the I/O configuration bits. The data for each input or output is kept in the corresponding Input or Output register. The polarity of the read register can be inverted with the Polarity inversion register. All registers can be read by the system controller.

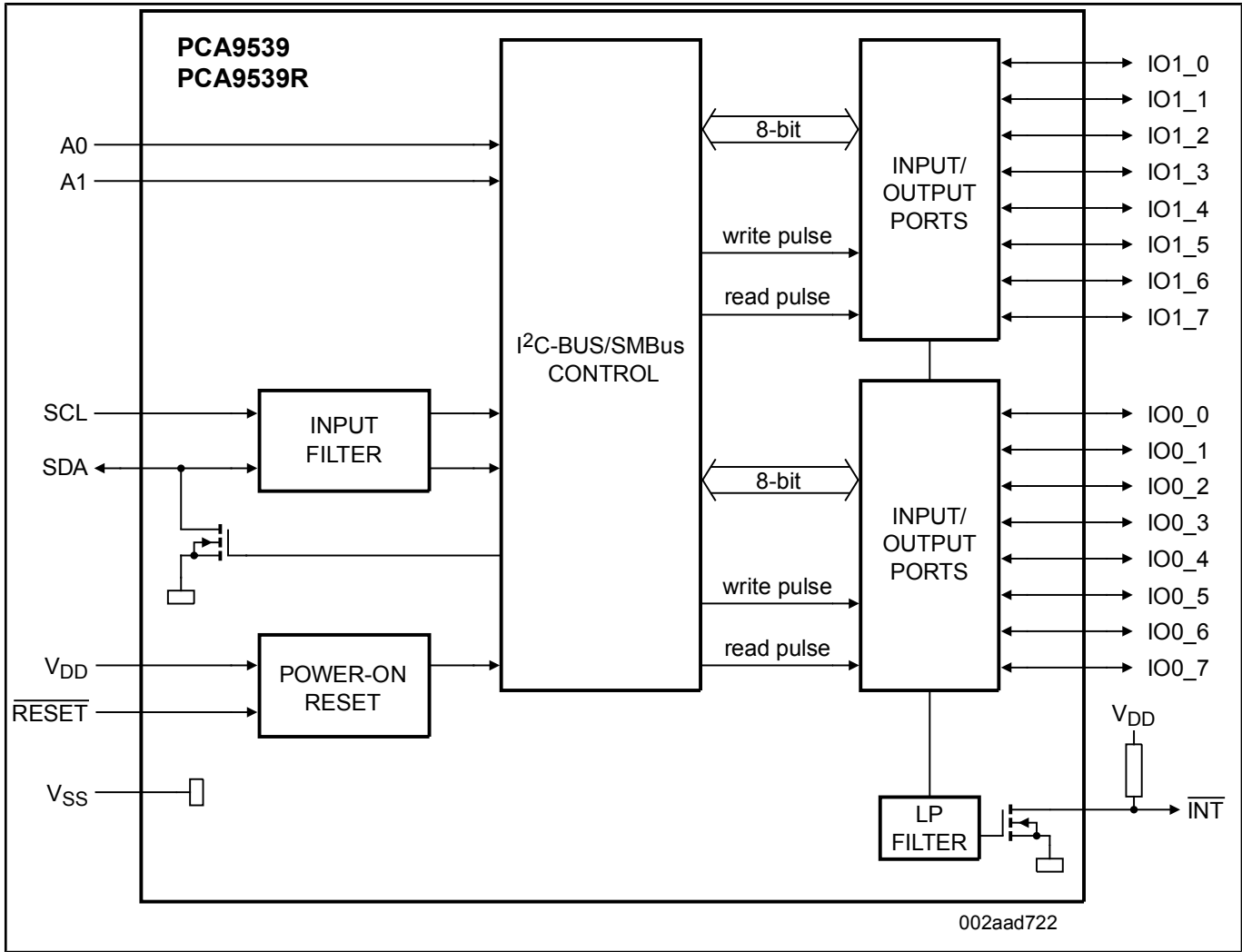
The PCA9539; PCA9539R is identical to the PCA9555 except for the removal of the internal I/O pull-up resistor which greatly reduces power consumption when the I/Os are held LOW, replacement of A2 with RESET and a different address range.

The PCA9539; PCA9539R open-drain interrupt output is activated when any input state differs from its corresponding input port register state and is used to indicate to the system controller that an input state has changed.

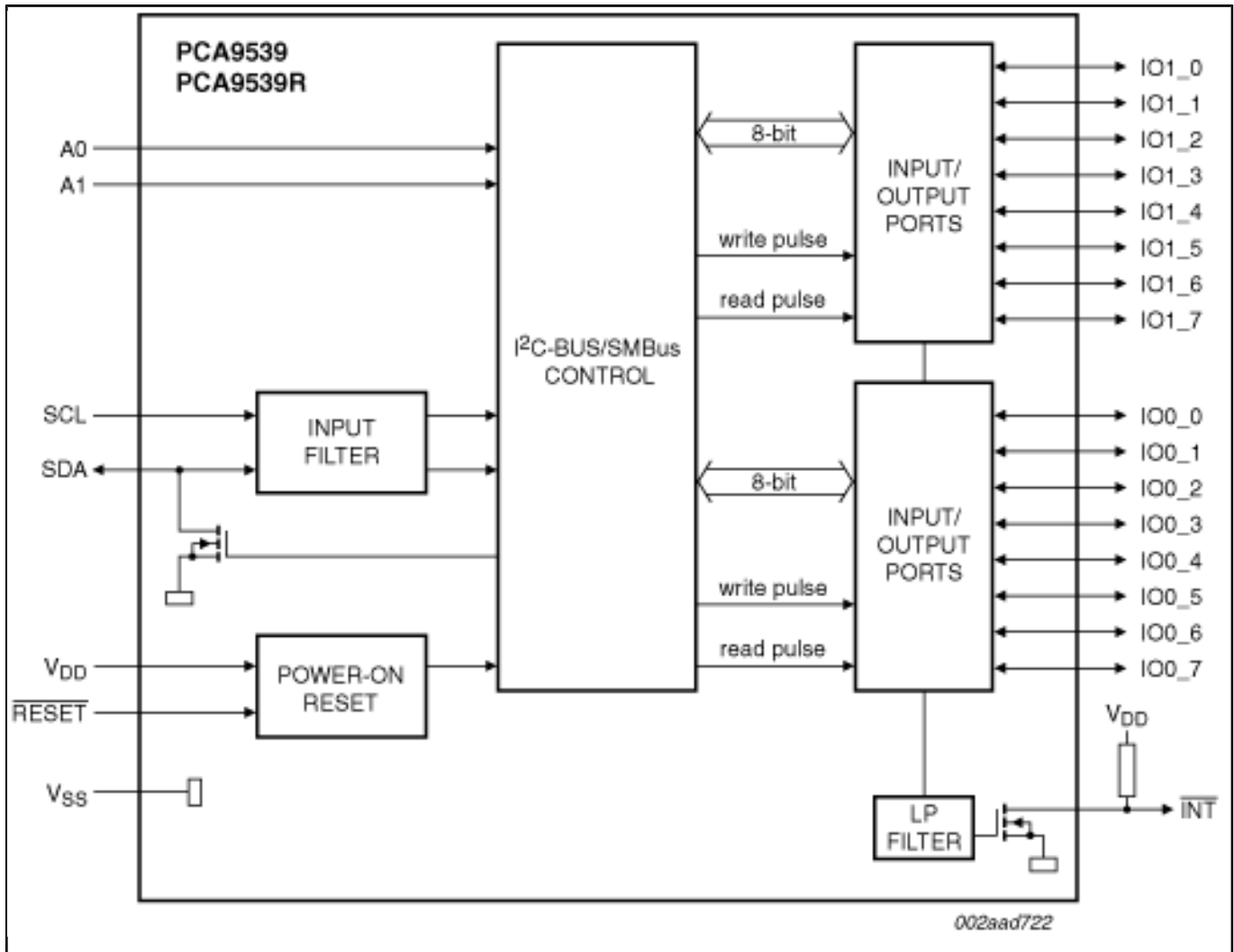
The power-on reset sets the registers to their default values and initializes the device state machine. In the PCA9539, the RESET pin causes the same reset/default I/O input configuration to occur without de-powering the device, holding the registers and I²C-bus state machine in their default state until the RESET input is once again HIGH. This input requires a pull-up to VDD. In the PCA9539R however, only the device state machine is initialized by the RESET pin and the internal general-purpose registers remain unchanged. Using the PCA9539R RESET pin will only reset the I²C-bus interface should it be stuck LOW to regain access to the I²C-bus. This allows the I/O pins to retain their last configured state so that they can keep any lines in their previously defined state and not cause system errors while the I²C-bus is being restored.

Two hardware pins (A0, A1) vary the fixed I²C-bus address and allow up to four devices to share the same I²C-bus/SMBus.

PCA9539_PCA9539R Block Diagram



PCA9539BS, PCA9539D, PCA9539PW, PCA9539RBS, PCA9539RPW Block Diagram



View additional information for [16-Bit I²C-Bus and SMBus Low-Power I/O Port with Interrupt and Reset](#).

Note: The information on this document is subject to change without notice.

www.nxp.com

NXP and the NXP logo are trademarks of NXP B.V. All other product or service names are the property of their respective owners. The related technology may be protected by any or all of patents, copyrights, designs and trade secrets. All rights reserved. © 2024 NXP B.V.