



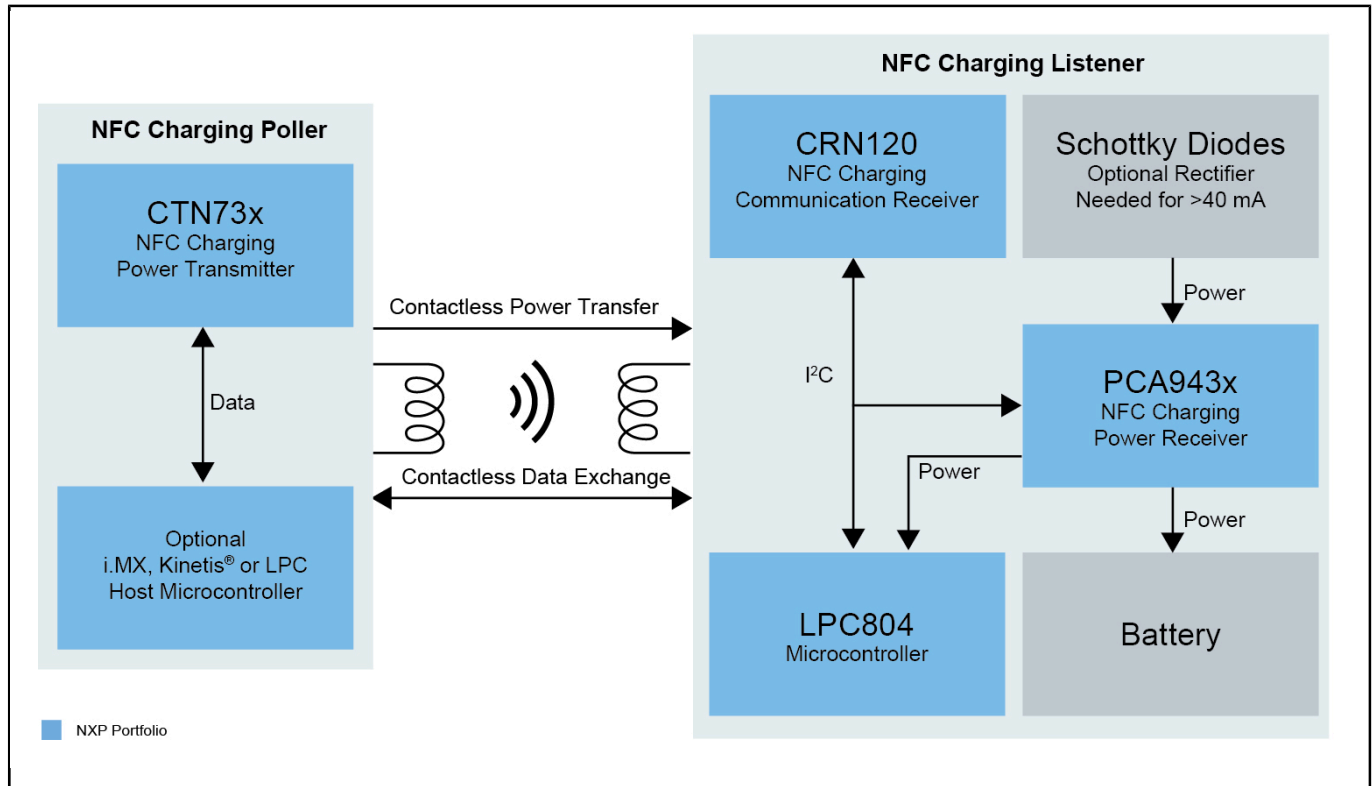
NFC Wireless Charging Power Receiver

PCA943X

Last Updated: Apr 8, 2022

PCA943x is designed to follow the NFC Forum standard for wireless charging. It is part of a solution offering from NXP for NFC wireless charging. With its two low-dropout-regulators PC9431 is the perfect substitution for cable connectors. PCA9430 implements direct charging of single li-ion cells, on top.

NFC-Charging Block Diagram Block Diagram



View additional information for [NFC Wireless Charging Power Receiver](#).

Note: The information on this document is subject to change without notice.

www.nxp.com

NXP and the NXP logo are trademarks of NXP B.V. All other product or service names are the property of their respective owners. The related technology may be protected by any or all of patents, copyrights, designs and trade secrets. All rights reserved. © 2024 NXP B.V.