



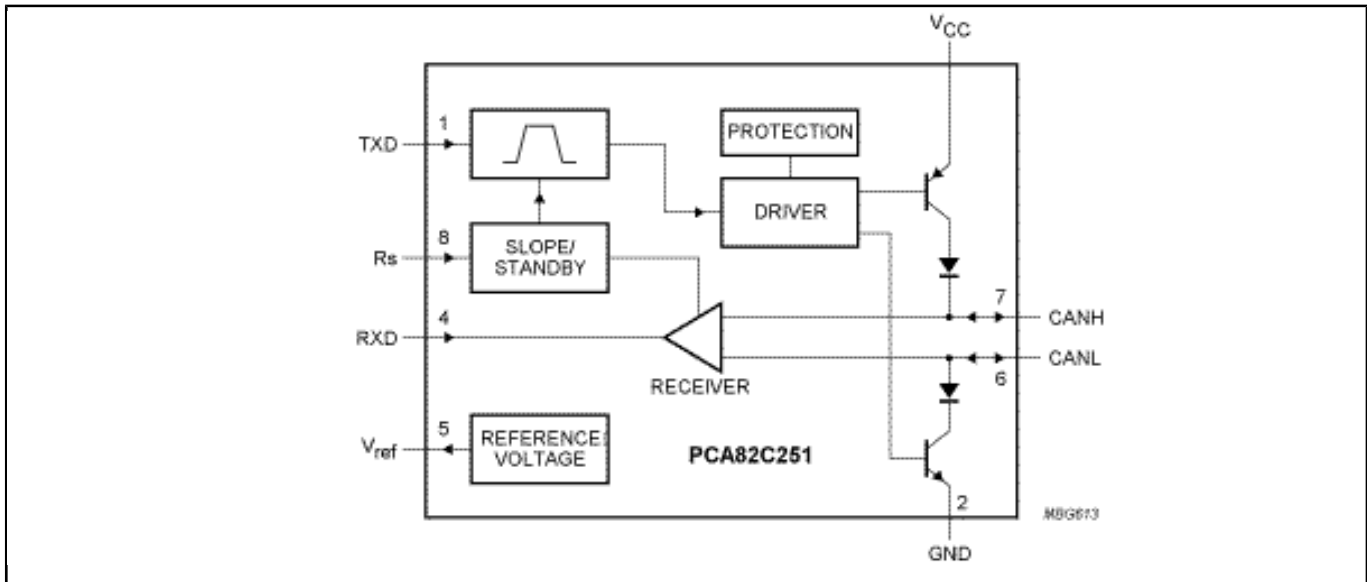
CAN Transceiver for 24 V Systems

PCA82C251T

Last Updated: Oct 23, 2023

The PCA82C251 is the interface between a CAN protocol controller and the physical bus. The device provides differential transmit capability to the bus and differential receive capability to the CAN controller.

PCA82C251T Block Diagram



View additional information for [CAN Transceiver for 24 V Systems](#).

Note: The information on this document is subject to change without notice.

www.nxp.com

NXP and the NXP logo are trademarks of NXP B.V. All other product or service names are the property of their respective owners. The related technology may be protected by any or all of patents, copyrights, designs and trade secrets. All rights reserved. © 2024 NXP B.V.