



32 KHz Watch Circuits with Adaptive Motor Pulse

PCA1462U

アーカイブス

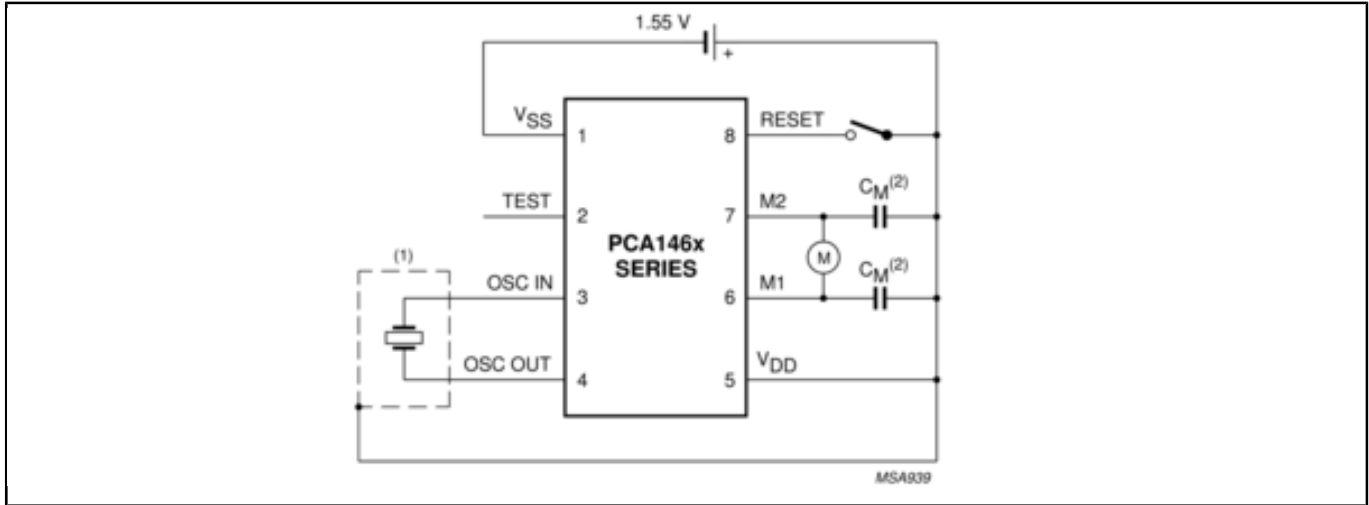
このページには、製造中止（生産終了）となった製品の情報が記載されています。本ページに記載されている仕様および情報は、過去の参考情報です。

Last Updated: Jul 31, 2023

The PCA146x series devices are CMOS integrated circuits specially suited for battery-operated, quartz-crystal-controlled wrist-watches, with a bipolar stepping motor.

PCA1462U should not be used for new designs.

PCA1462U, PCA1463U Block Diagram Block Diagram



View additional information for [32 KHz Watch Circuits with Adaptive Motor Pulse](#).

Note: The information on this document is subject to change without notice.

www.nxp.com

NXP and the NXP logo are trademarks of NXP B.V. All other product or service names are the property of their respective owners. The related technology may be protected by any or all of patents, copyrights, designs and trade secrets. All rights reserved. © 2024 NXP B.V.