



# Audio Jack Configuration Switch Matrix

## NCX8200UK

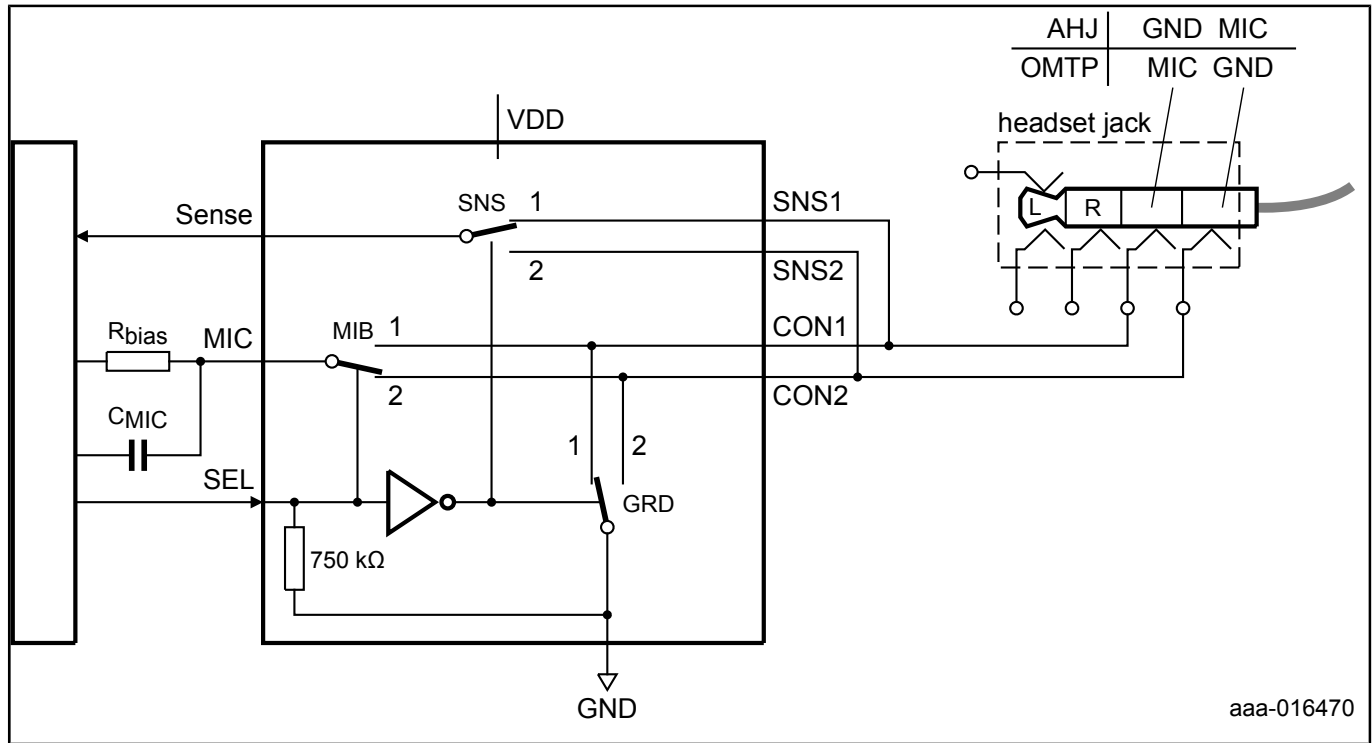
### アーカイブス

このページには、製造中止（生産終了）となった製品の情報が記載されています。本ページに記載されている仕様および情報は、過去の参考情報です。

Last Updated: Jul 25, 2023

The NCX8200 is an advanced audio jack configuration switch matrix device that supports 3- and 4-pole connectors. It allows reconfiguration of the GND, microphone-bias contact to comply with the American Headset Jack (AHJ) and the Open Mobile Terminal Platform (OMTP) pinout. Furthermore, a GND sense path supports quasi-differential amplifier architectures. The device contains Human Body Model compliant ESD protection diodes rated 8 kV at all pins. The device can be operated from a supply in the range of 1.6 V to 3.6 V. It supports a broad variety of after-market headphones.

# NCX8200 Block Diagram



View additional information for [Audio Jack Configuration Switch Matrix](#).

**Note:** The information on this document is subject to change without notice.

**www.nxp.com**

NXP and the NXP logo are trademarks of NXP B.V. All other product or service names are the property of their respective owners. The related technology may be protected by any or all of patents, copyrights, designs and trade secrets. All rights reserved. © 2024 NXP B.V.