



Low-Voltage Comparator

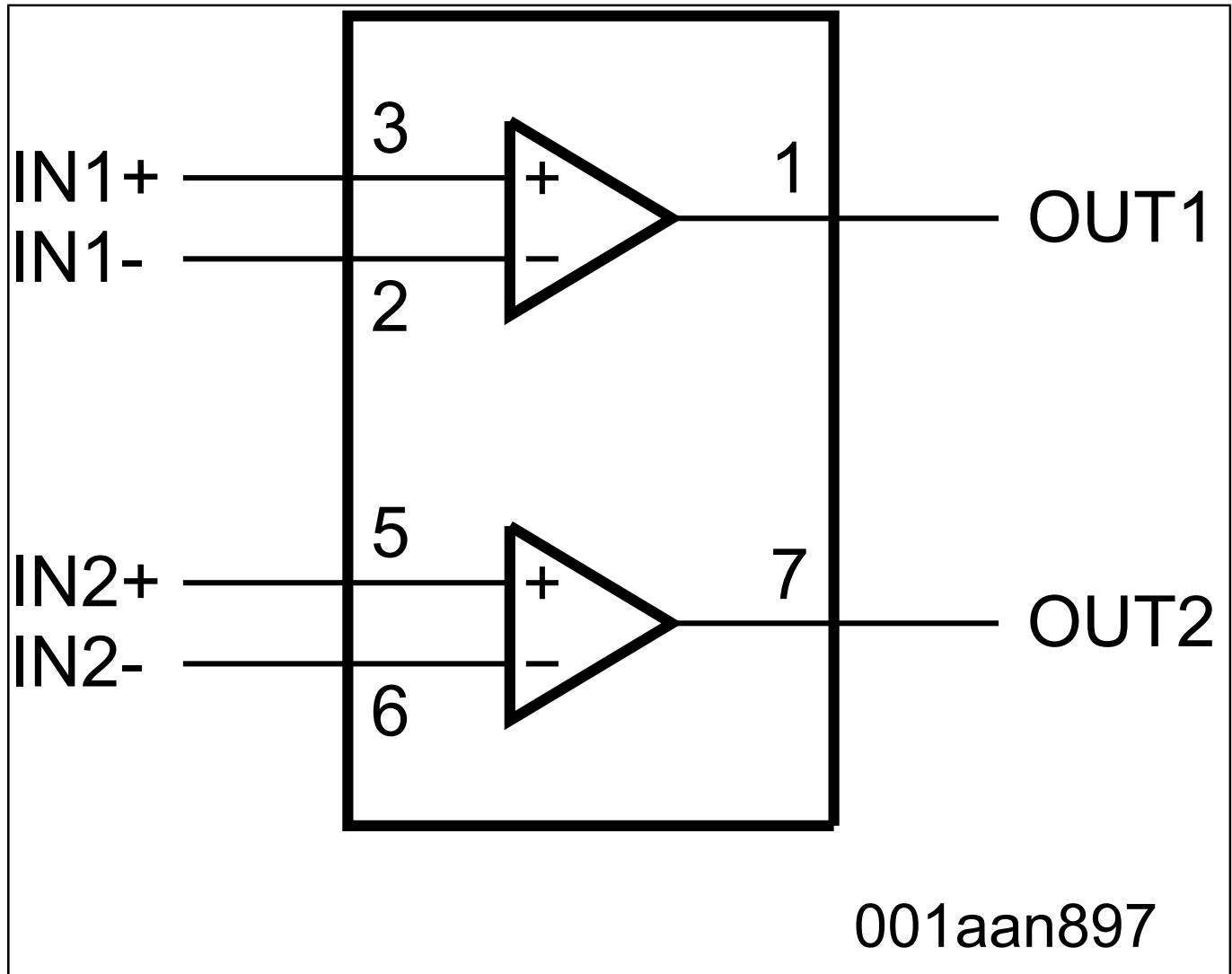
NCX2220

Last Updated: Jan 31, 2024

The NCX2220 provides a dual low voltage low power comparator.

The NCX2220 has a very low supply current of 5 μ A per comparator and is guaranteed to operate at a low voltage of 1.3 V and is fully operational up to 5.5 V which makes this devices convenient for use in both 3.0 V and 5.0 V systems.

NCX2220 Block Diagram Block Diagram



View additional information for [Low-Voltage Comparator](#).

Note: The information on this document is subject to change without notice.

www.nxp.com

NXP and the NXP logo are trademarks of NXP B.V. All other product or service names are the property of their respective owners. The related technology may be protected by any or all of patents, copyrights, designs and trade secrets. All rights reserved. © 2024 NXP B.V.