



Mobile Robotics Buggy3 Kit Including RDDRONE-FMUK66 and Peripherals

MR-BUGGY3

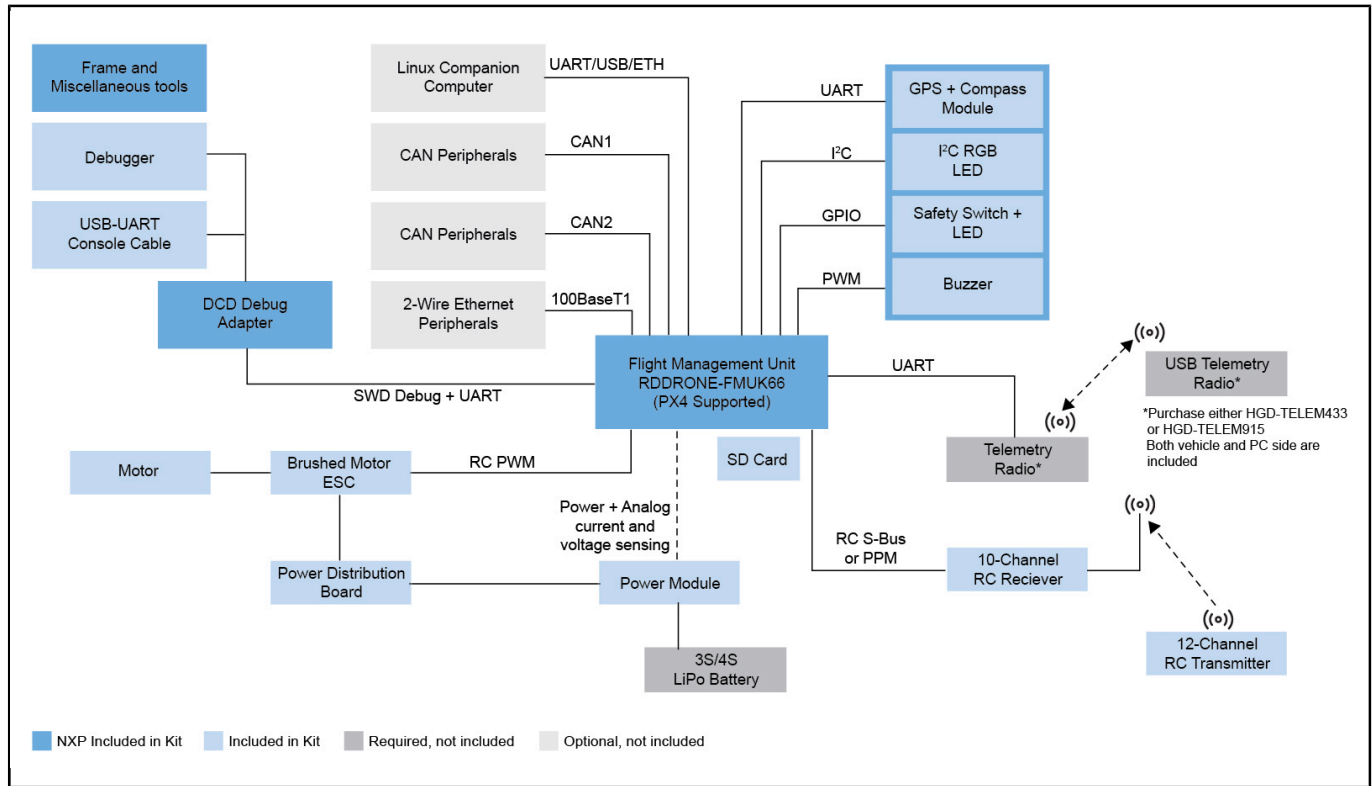
Last Updated: Jun 20, 2023

The MR-BUGGY3 kit provides the mechanical and other components needed to build a small robotic Buggy and evaluate the RDDRONE-FMUK66. The platform includes a brushed motor controller and RC Remote, as well as a robust mechanical platform offering two layers to support expansion with other electronics and Mobile Robotics board solutions.

This developer kit may be used as part of HoverGames/RoverGames, and contains the components needed for these coding challenges. Note that this is a professional developer kit, and as shipped is not a complete functional system. It includes no NXP software, the flight management unit (FMU) is supported by the mainline branch of the business-friendly open source PX4.org vehicle stack. A separate suitable hobby-type LiPo battery and country-specific telemetry radio will be required for a complete working system.

When assembled the frame has appropriate additional space in order to mount other components such as UCANS32K146, UCABS32K1SIC, RDDRONE-T1ADAPT, NXP Freedom boards. A companion computer such as NavQPlus based on i.MX 8M plus, or i.MX 8M Mini can be used as a vision processor running Linux and ROS/ROS2. The rover development platform is very flexible, fully open for development of robotics, control algorithms, security networking and communications protocols, and can include another add-on component, companion computer, software or associated solutions.

MR-BUGGY3 Block Diagram Block Diagram



View additional information for [Mobile Robotics Buggy3 Kit Including RDDRONE-FMUK66 and Peripherals](#).

Note: The information on this document is subject to change without notice.

www.nxp.com

NXP and the NXP logo are trademarks of NXP B.V. All other product or service names are the property of their respective owners. The related technology may be protected by any or all of patents, copyrights, designs and trade secrets. All rights reserved. © 2024 NXP B.V.