



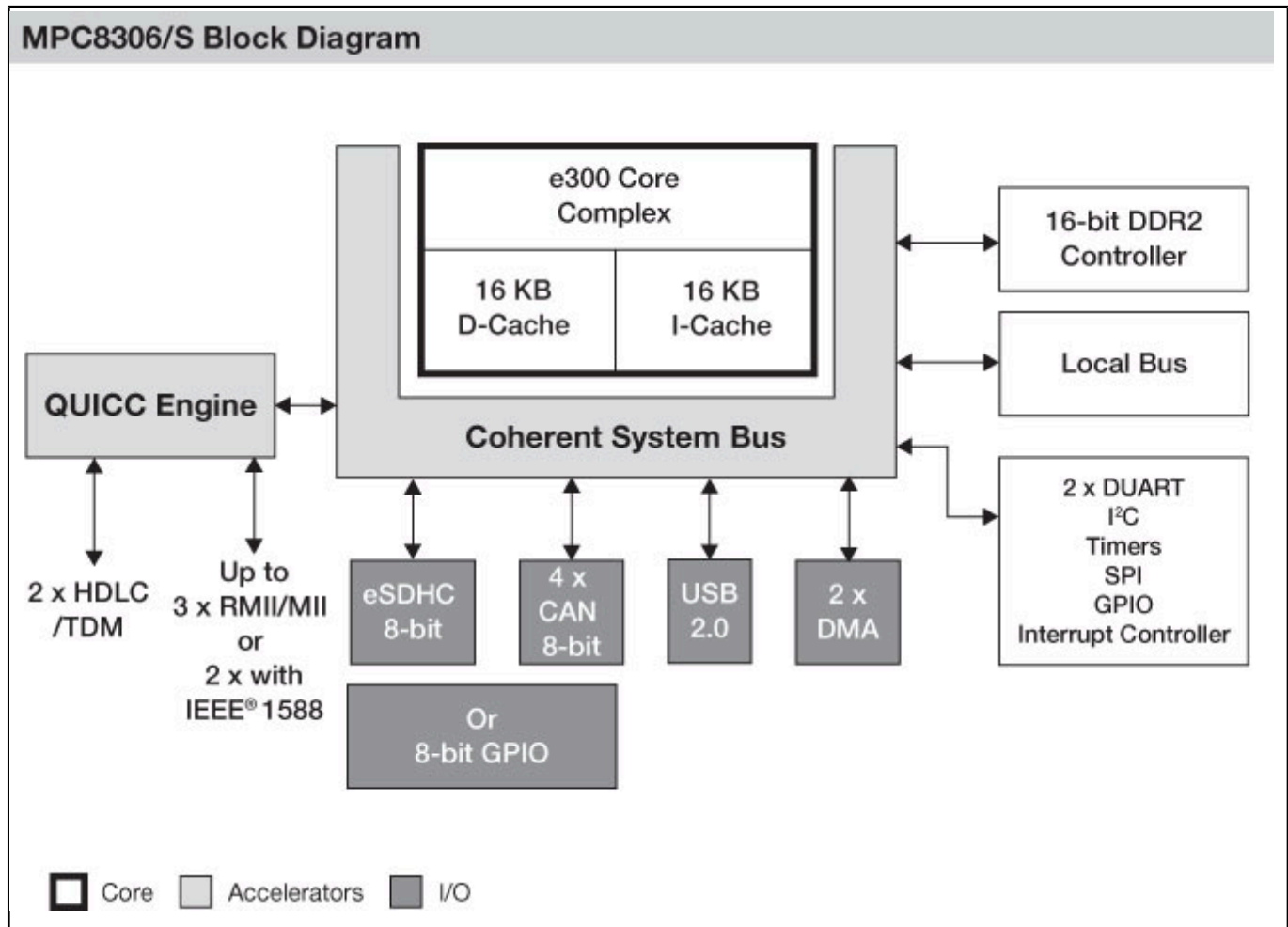
# **Low-Power PowerQUICC® II Pro Processor with DDR2, eSDHC, 128- ch. HDLC/TDM, 10/100 Ethernet, USB, IEEE® 1588**

## **MPC8306**

Last Updated: Oct 17, 2022

The MPC8306 and MPC8306S are part of the cost-effective MPC830x communications processor family based on the e300 core and built on Power Architecture® technology. The devices integrate QUICC Engine® technology capable of supporting HDLC, TDM and 10/100 R/MII. The MPC8306 also supports IEEE® 1588 v2 time stamping. The MPC8306/S devices provide users with a highly integrated, fully programmable communications processor for use in many networking, industrial control and low-end embedded applications. This helps ensure that a cost-effective system solution can be quickly developed and offers flexibility to accommodate new standards and evolving system requirements.

# Freescale PowerQUICC MPC8306 Communications Processor Block Diagram Block Diagram



View additional information for [Low-Power PowerQUICC® II Pro Processor with DDR2, eSDHC, 128-ch. HDLC/TDM, 10/100 Ethernet, USB, IEEE® 1588](#).

**Note:** The information on this document is subject to change without notice.

[www.nxp.com](http://www.nxp.com)

NXP and the NXP logo are trademarks of NXP B.V. All other product or service names are the property of their respective owners. The related technology may be protected by any or all of patents, copyrights, designs and trade secrets. All rights reserved. © 2024 NXP B.V.