



Host Processor

MPC7447A

新規採用非推奨

このページでは、新規設計を推奨しない製品に関する情報を掲載しています。

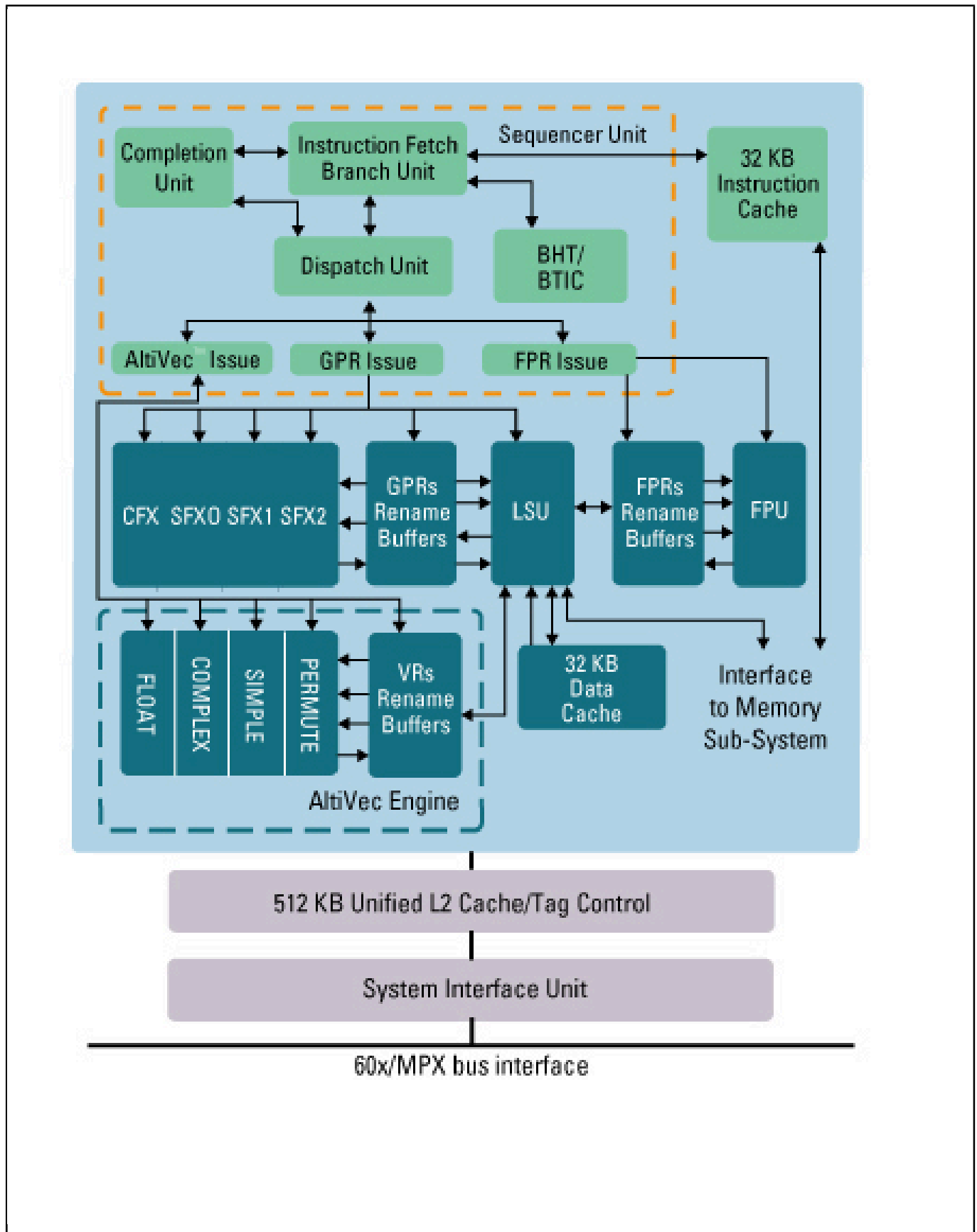
Last Updated: Apr 8, 2022

The MPC7447A processor is a high-performance, low-power, 32-bit implementation of the RISC architecture. Key architectural features include 512 KB of on-chip L2 cache, a 64-bit bus interface and a full 128-bit implementation of Our AltiVec®™ technology. MPC7447A processors are ideal for leading-edge computing, embedded network control and signal processing applications.

Designed as pin-compatible replacements for Our MPC7447 products, these new processors have been shown to reach speeds of 1.5 GHz. MPC7447A processors benefit from Our silicon-on-insulator (SOI) process technology, engineered to help deliver significant power savings without sacrificing speed. Low-power versions of the MPC7447A are available.

Embedded Enhancements The MPC7447A offers eight instruction BAT and data BAT registers to help support lightweight embedded operating systems, enabling more large tables of data. The processors also provide cache locking to the L1 caches so that key performance algorithms and code can be locked in the L1 cache.

MPC7447A block diagram Block Diagram



View additional information for [Host Processor](#).

Note: The information on this document is subject to change without notice.

www.nxp.com

NXP and the NXP logo are trademarks of NXP B.V. All other product or service names are the property of their respective owners. The related technology may be protected by any or all of patents, copyrights, designs and trade secrets. All rights reserved. © 2024 NXP B.V.