



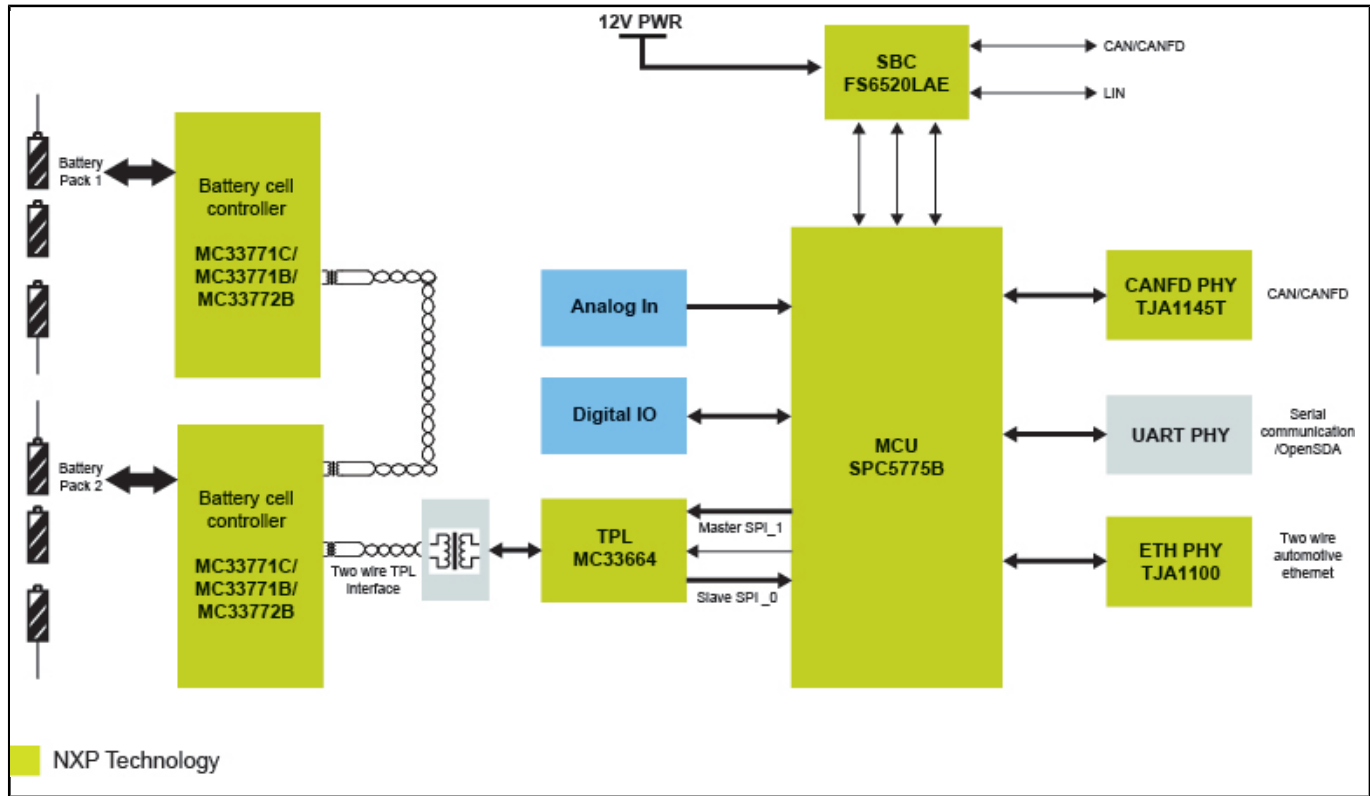
# **MPC5775B and MC33771 high-voltage BMS Evaluation System**

## **MPC5775B-BATTERYSYSTEM**

Last Updated: Nov 25, 2023

The MPC5775B battery management controller (BMC) plus MC33771 battery cell controller (BCC) system illustrates how to implement a simple high-voltage (HV) battery management system (BMS) in an efficient and easy-to-implement solution including hardware and software enablement.

## MPC5775B BMC plus MC33771 BCC high-voltage BMS System Block Diagram



View additional information for [MPC5775B and MC33771 high-voltage BMS Evaluation System](#).

**Note:** The information on this document is subject to change without notice.

[www.nxp.com](http://www.nxp.com)

NXP and the NXP logo are trademarks of NXP B.V. All other product or service names are the property of their respective owners. The related technology may be protected by any or all of patents, copyrights, designs and trade secrets. All rights reserved. © 2024 NXP B.V.