



# 32-bit Microcontrollers

## MPC555

新規採用非推奨

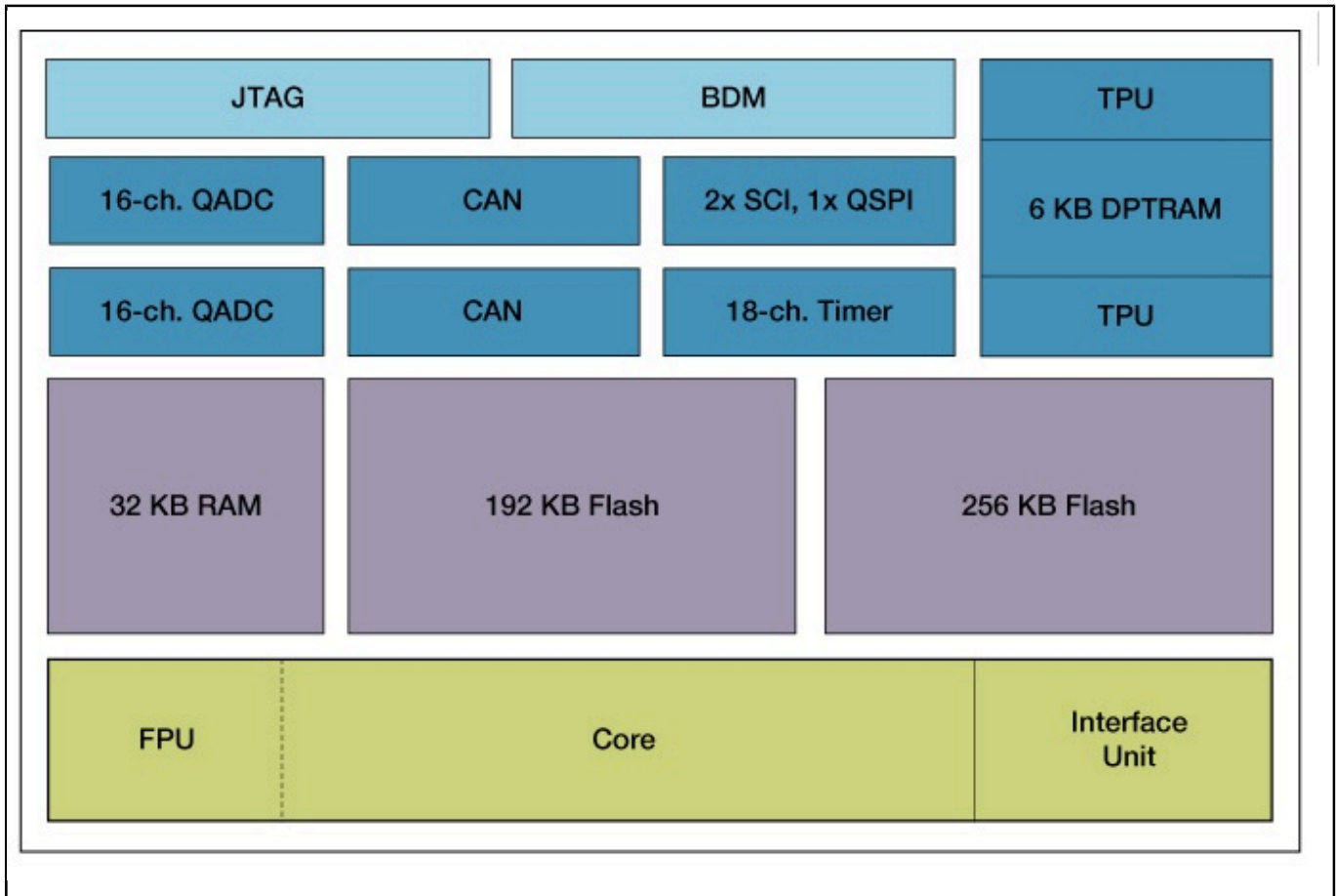
このページでは、新規設計を推奨しない製品に関する情報を掲載しています。

Last Updated: Apr 9, 2022

The MPC555 MCU offers a high-speed solution designed for automotive applications such as engine and transmission control, as well as robotics and avionics control.

- Accelerates advanced algorithms necessary to support complex applications
- Includes high-performance data manipulation capabilities
- Allows for flexibility to change or upgrade products late in the production cycle
- Offers low development costs and quick time-to-market cycles

## MPC555 Block Diagram Block Diagram



View additional information for [32-bit Microcontrollers](#).

**Note:** The information on this document is subject to change without notice.

**www.nxp.com**

NXP and the NXP logo are trademarks of NXP B.V. All other product or service names are the property of their respective owners. The related technology may be protected by any or all of patents, copyrights, designs and trade secrets. All rights reserved. © 2024 NXP B.V.