



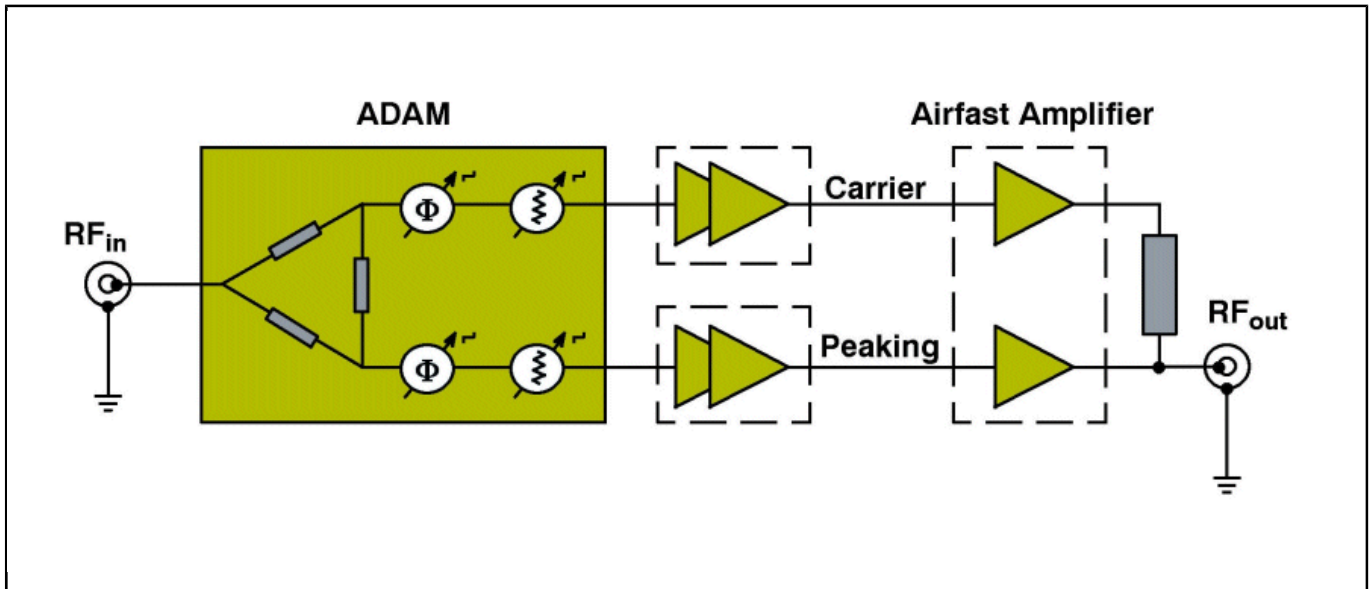
# 3400-3800 MHz Advanced Doherty Alignment Module

## MMDS36254H

Last Updated: Apr 24, 2024

The MMDS36254H is an integrated module designed for use in base station transmitters in conjunction with high power Doherty amplifiers. The device is designed to enable accurate alignment of phase and amplitude on the carrier and peaking amplifiers to ensure performance consistency, in particular for asymmetric implementations. The MMDS36254H enables superior linearity-efficiency trade-off while improving output power. It contains a 90° coupler, digitally selectable phase shifters and step attenuators, and operates from a single voltage supply. The MMDS36254H is suitable for transmit protocols such as W-CDMA, UMTS and LTE using frequencies from 3400 to 3800 MHz, and is controlled using a serial peripheral interface (SPI).

## RF Control Circuit ADAM Block Diagram Block Diagram



View additional information for [3400-3800 MHz Advanced Doherty Alignment Module](#).

**Note:** The information on this document is subject to change without notice.

**www.nxp.com**

NXP and the NXP logo are trademarks of NXP B.V. All other product or service names are the property of their respective owners. The related technology may be protected by any or all of patents, copyrights, designs and trade secrets. All rights reserved. © 2024 NXP B.V.