



# SPI $\pm 3.5$ g or $\pm 5.0$ g XY-Axis, Low-g, Digital Inertial Sensor

## MMA69xxKQ

新規採用非推奨

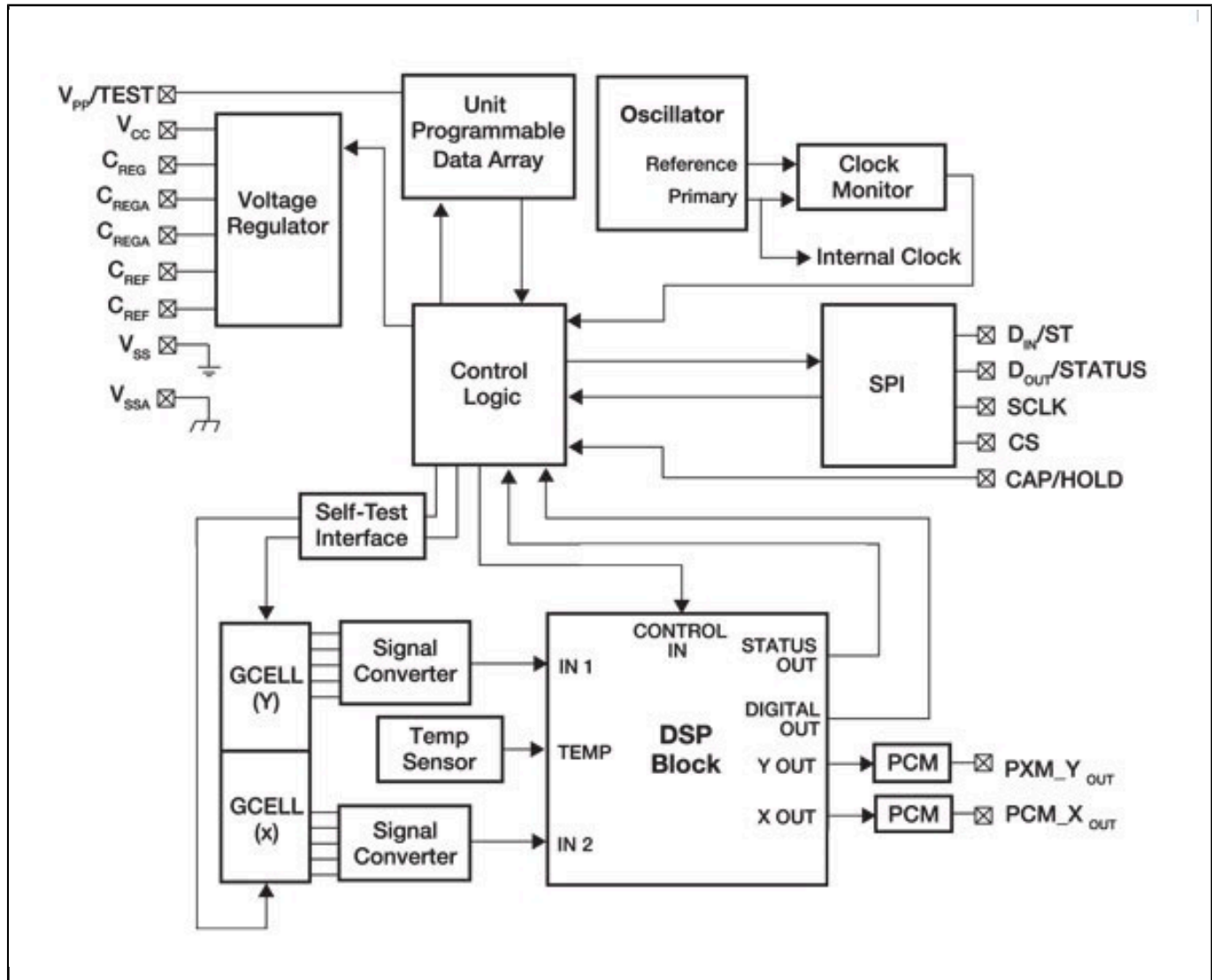
このページでは、新規設計を推奨しない製品に関する情報を掲載しています。

Last Updated: Sep 26, 2023

The MMA6900KQ ( $\pm 3.5$  g full-scale per axis), MMA6901KQ ( $\pm 5$  g full-scale per axis), and MMA6910KQ ( $\pm 3.5$  g full-scale per axis) sensors for automotive applications offer dual-axis, low-g solutions based on Our HARMEMS technology.

- Accommodates higher original signal noise levels without sacrificing resolution in Electronic Stability Control (ESC) designs
- Allows for additional processing of digital or analog signals
- Provides SafeAssure functional safety
- Supports serial peripheral interface (SPI)
- Reduces system costs and enhances passenger safety through central module integration

# Freescale MMA69xxKQ Acceleration Sensor Block Diagram Block Diagram



View additional information for [SPI ±3.5 g or ±5.0 g XY-Axis, Low-g, Digital Inertial Sensor](#).

Note: The information on this document is subject to change without notice.

[www.nxp.com](http://www.nxp.com)

NXP and the NXP logo are trademarks of NXP B.V. All other product or service names are the property of their respective owners. The related technology may be protected by any or all of patents, copyrights, designs and trade secrets. All rights reserved. © 2024 NXP B.V.