



6 Channel LED Backlight Driver with Power Supply

MC34845

アーカイブス

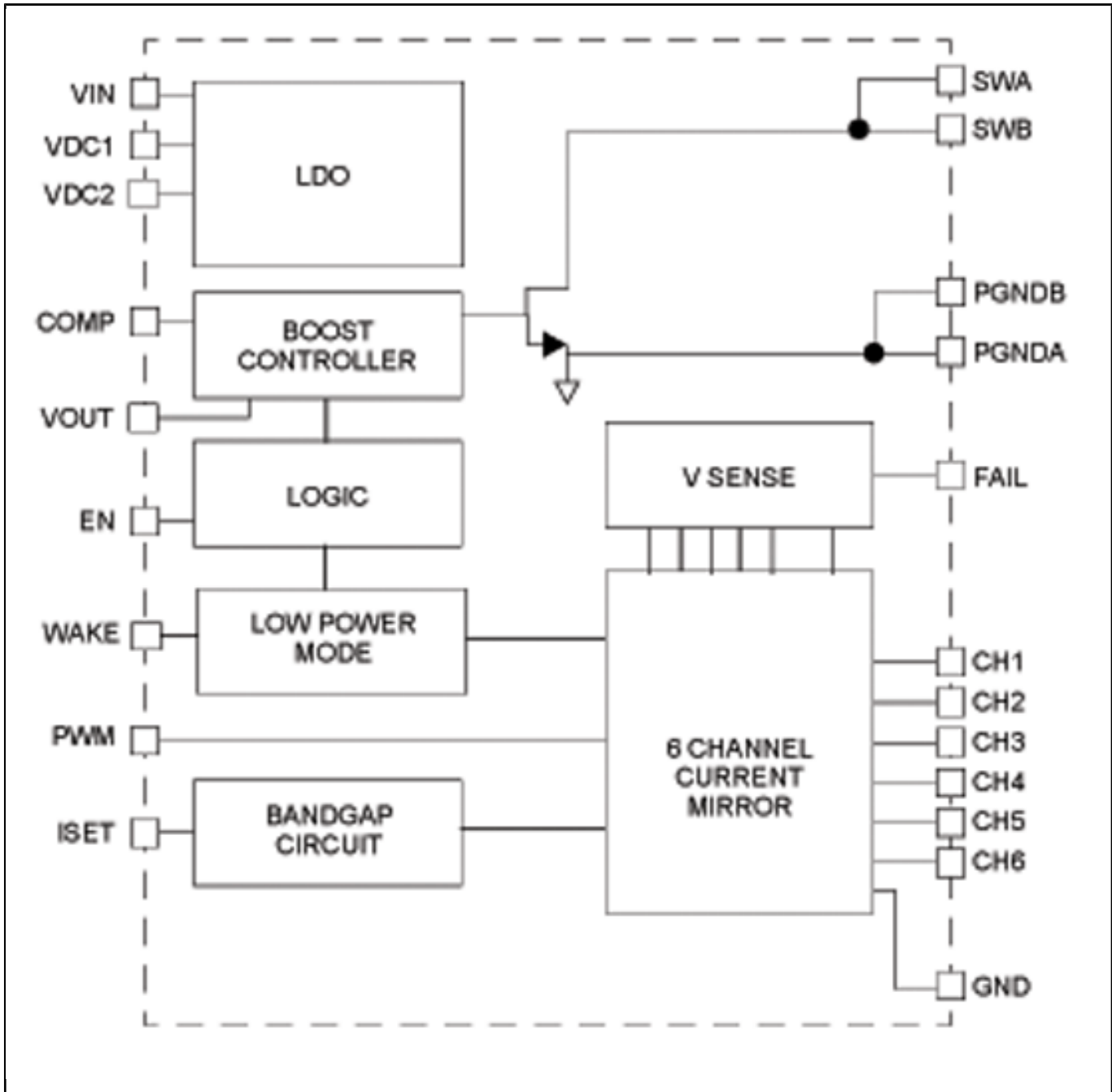
このページには、製造中止（生産終了）となった製品の情報が記載されています。本ページに記載されている仕様および情報は、過去の参考情報です。

Last Updated: Jul 24, 2023

The NXP® MC34845 is a high efficiency, LED driver for use in backlighting LCD displays from 10" to 17"+.

- Capable of driving up to 16 LEDs in series in each of 6 strings
- PWM dimming is performed by applying a PWM input signal to the PWM pin which modulates the LED channels directly
- The integrated boost converter uses dynamic headroom control to automatically set the output voltage
- Three device versions for boost frequency: the 34845 and 34845C are 600 kHz, the 34845 A is 1.2 MHz and the 34845B and 34845D are 300 kHz
- Includes fault protection modes for LED short and open, over temperature, over current and over voltage errors. The OVP level can be set by using an external resistor divider.

Freescale MC34845 LED Driver Block Diagram Block Diagram



View additional information for [6 Channel LED Backlight Driver with Power Supply](#).

Note: The information on this document is subject to change without notice.

www.nxp.com

NXP and the NXP logo are trademarks of NXP B.V. All other product or service names are the property of their respective owners. The related technology may be protected by any or all of patents, copyrights, designs and trade secrets. All rights reserved. © 2024 NXP B.V.