



Octal Serial Switch with SPI

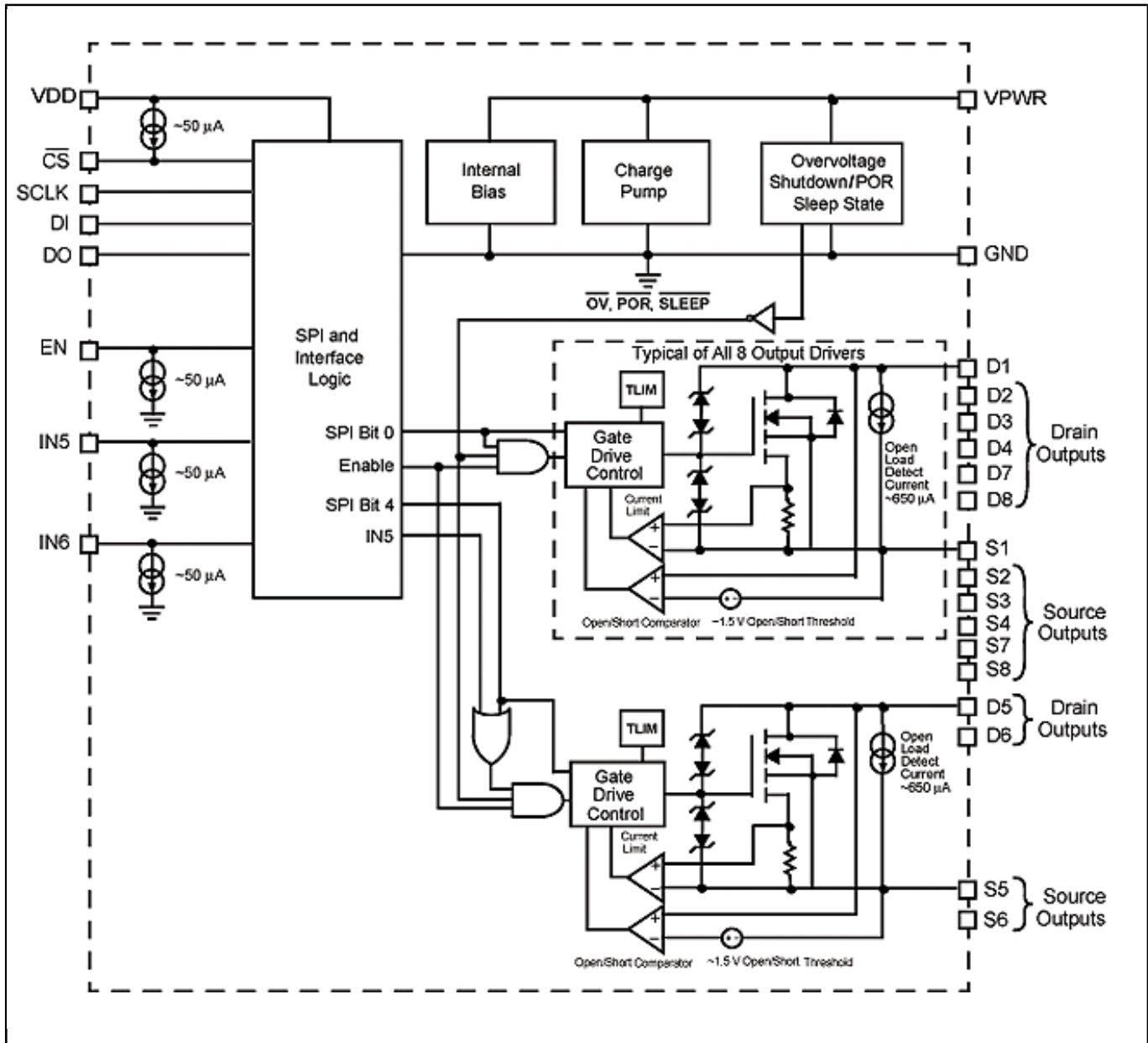
MC33880

Last Updated: Jul 20, 2023

The NXP® MC33880 is an 8-output hardware configurable high side/low side switch with 8-bit serial input control using the serial peripheral interface (SPI).

- Two of the outputs can be controlled directly via MCU for pulse-width modulation (PWM) applications
- Controls various inductive or incandescent loads by directly interfacing with a MCU
- Innovative monitoring and protection features include very low standby currents, “cascadable” fault reporting, internal 40 V output clamping for low side configurations, internal -20 V output clamping for high side configurations, output specific diagnostics, and independent shutdown of outputs.

MC33880_BD Block Diagram



View additional information for [Octal Serial Switch with SPI](#).

Note: The information on this document is subject to change without notice.

www.nxp.com

NXP and the NXP logo are trademarks of NXP B.V. All other product or service names are the property of their respective owners. The related technology may be protected by any or all of patents, copyrights, designs and trade secrets. All rights reserved. © 2024 NXP B.V.