



# SD6 Programmable Driver for Solenoid Control

## MC33816

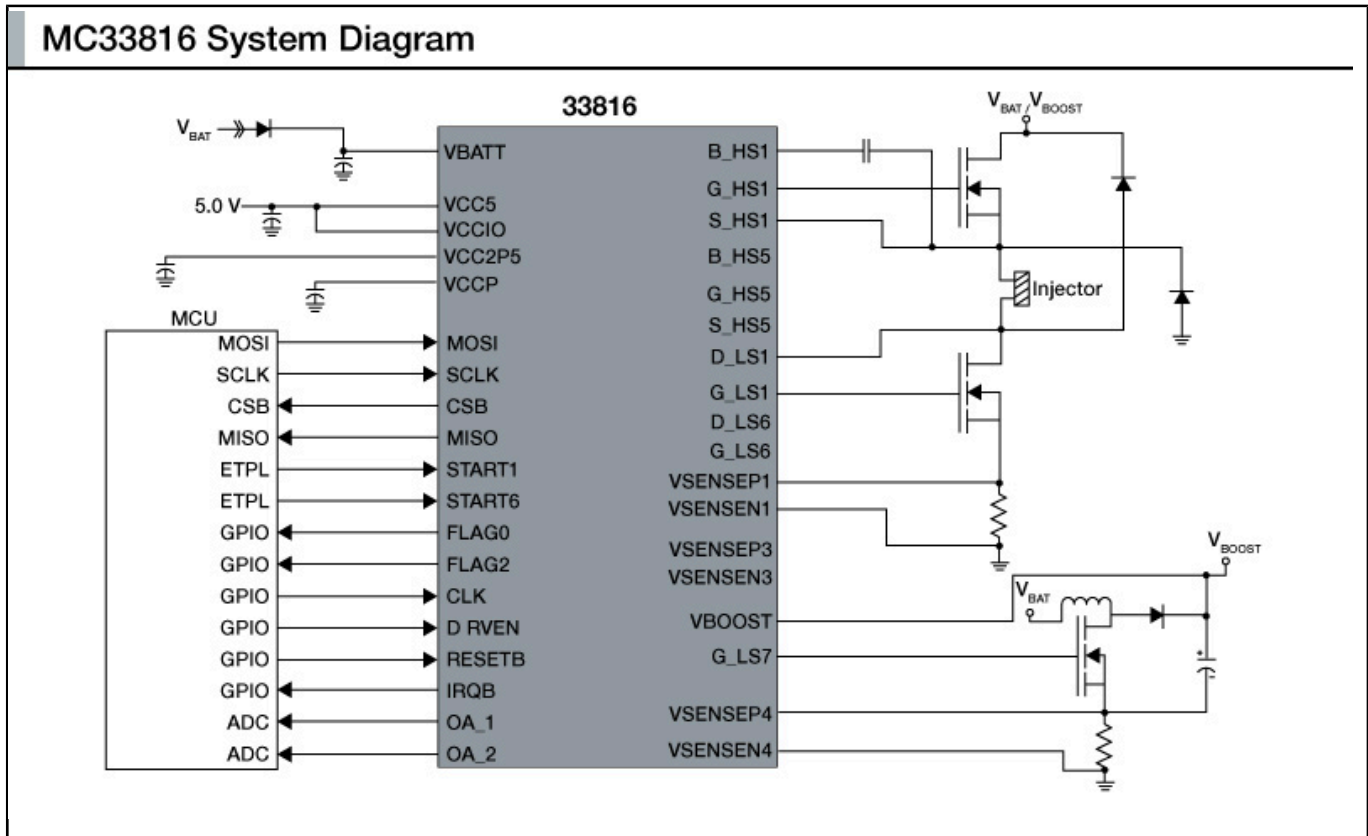
Last Updated: Jul 20, 2023

The NXP® MC33816 is a programmable gate driver IC for precision solenoid control applications.

- The IC consists of five external MOSFET high-side pre-drivers and seven external MOSFET low-side pre-drivers
- Provides a flexible solution for MOSFET gate drive with a versatile control and optimized latency time
- Gate drive, diagnosis, and protection are managed through four independent microcores, two code RAM and two data RAM banks
- The IC contains two internal voltage regulators

[View internal diagram](#)

# MC33816 System Diagram Block Diagram



View additional information for [SD6 Programmable Driver for Solenoid Control](#).

Note: The information on this document is subject to change without notice.

[www.nxp.com](http://www.nxp.com)

NXP and the NXP logo are trademarks of NXP B.V. All other product or service names are the property of their respective owners. The related technology may be protected by any or all of patents, copyrights, designs and trade secrets. All rights reserved. © 2024 NXP B.V.