



12 V Multipurpose Low RDSON eXtreme Switch

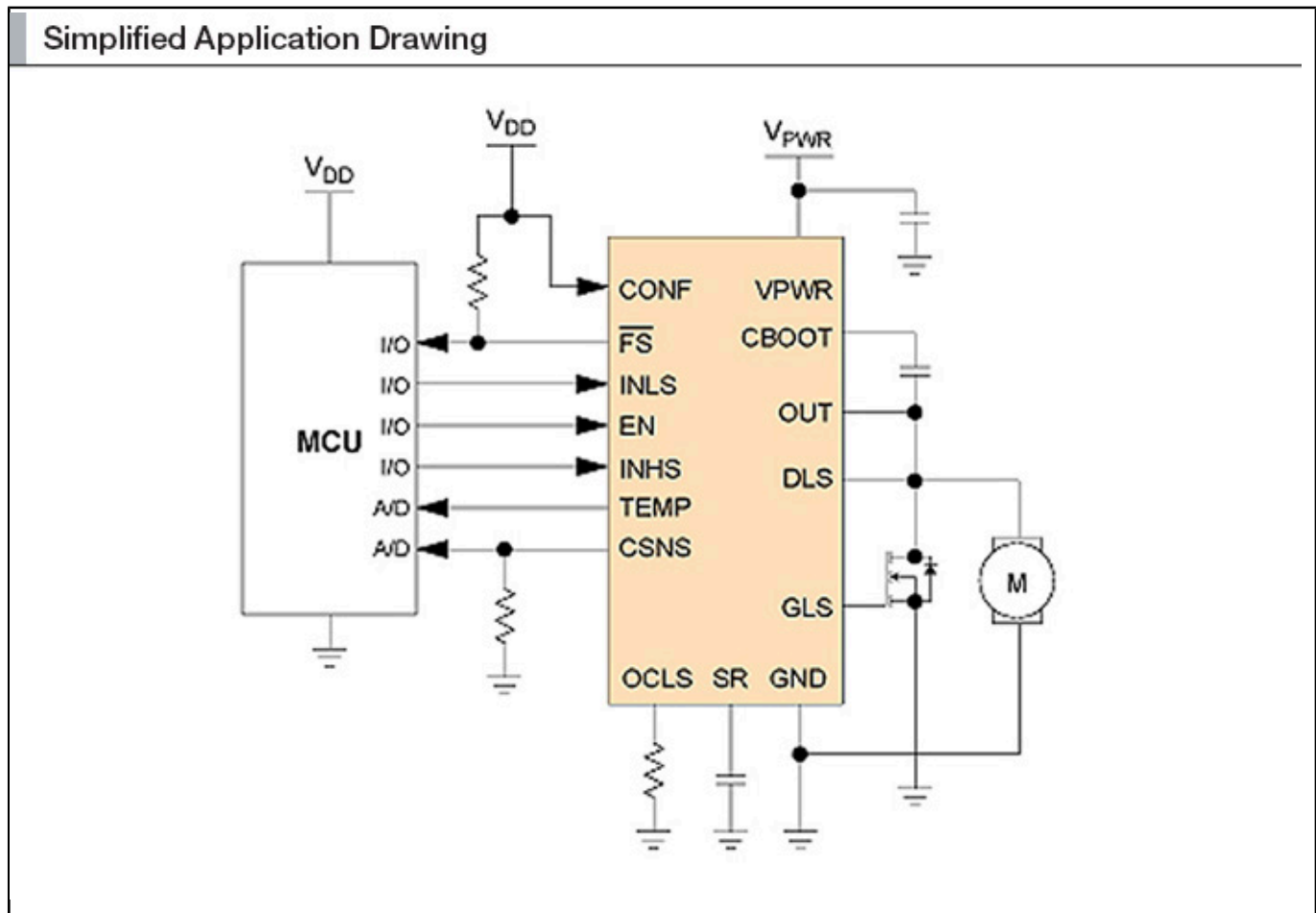
MC12XS2

Last Updated: Jul 20, 2023

The NXP® 12XS2 eXtreme switch family consists of very low RDSON devices in single or dual high side configuration to replace electromechanical relays or discrete devices in power management applications and DC motor control.

- Designed for harsh environments and includes self-recovery features
- Suitable for loads with high inrush current, as well as motors and all types of resistive and inductive loads
- Programming, control and diagnostics are implemented via the serial peripheral interface
- A dedicated parallel input is available for alternate and pulse-width modulation control of the output
- Packaged in a power enhanced 16-lead PQFN, 12x12 mm package

Simplified Application Drawing Block Diagram



View additional information for [12 V Multipurpose Low R_{DS\(on\)} eXtreme Switch](#).

Note: The information on this document is subject to change without notice.

www.nxp.com

NXP and the NXP logo are trademarks of NXP B.V. All other product or service names are the property of their respective owners. The related technology may be protected by any or all of patents, copyrights, designs and trade secrets. All rights reserved. © 2024 NXP B.V.