



Sub-1 GHz RF and 8-bit HCS08 MCU with 32KB Flash, 2KB RAM

MC12311

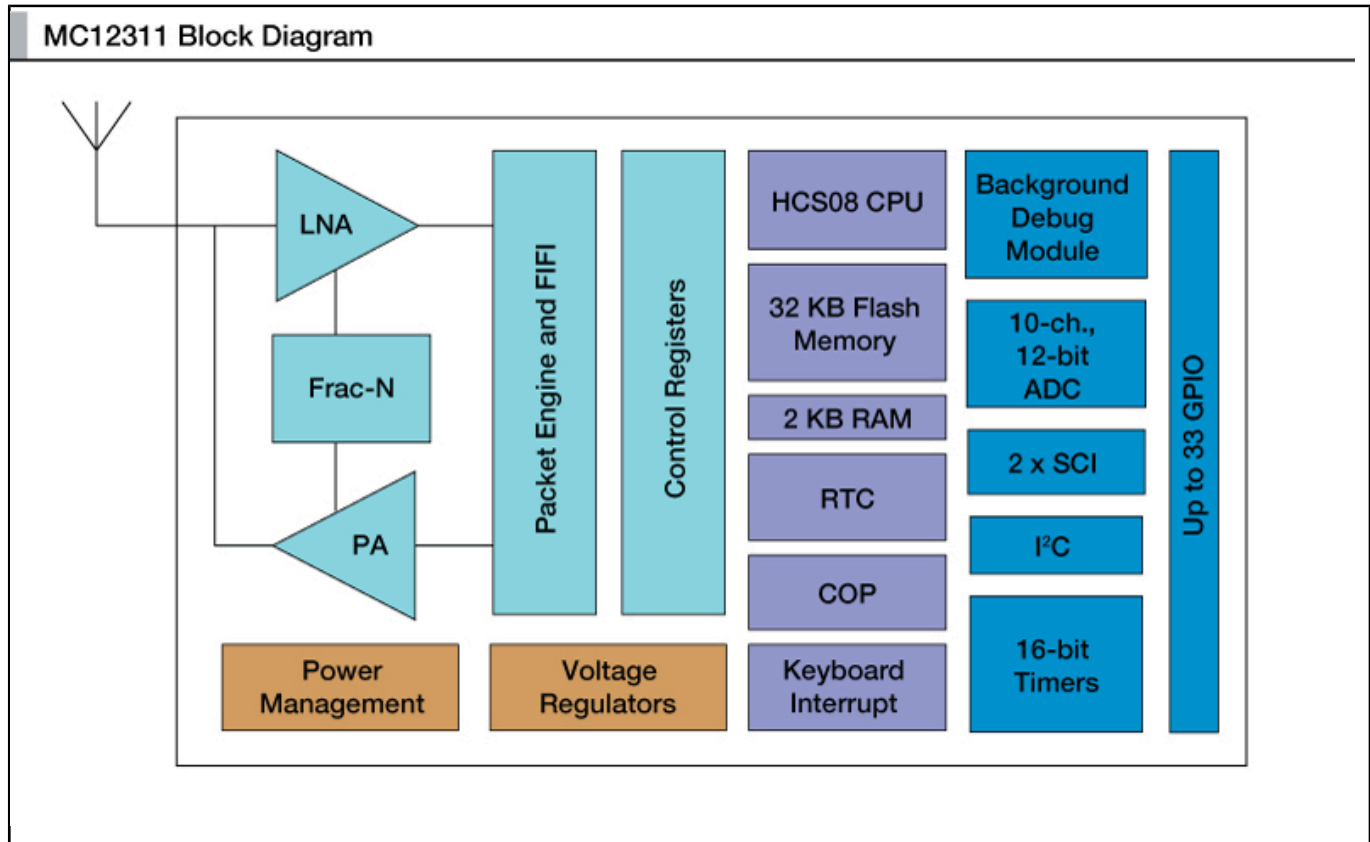
新規採用非推奨

このページでは、新規設計を推奨しない製品に関する情報を掲載しています。

Last Updated: Apr 9, 2022

Powered by the low-power S08QE 8-bit microcontroller, the MC12311 embeds a rich set of peripherals with a high-performance sub-1 GHz radio, capable of operating over a wide frequency range including 315, 433, 470, 868, 915, 928 and 960 MHz in the license-free industrial, scientific and medical (ISM) frequency bands. This configuration allows users to minimize the use of external components.

MC12311 BLOCK DIAGRAM Block Diagram



View additional information for [Sub-1 GHz RF and 8-bit HCS08 MCU with 32KB Flash, 2KB RAM](#).

Note: The information on this document is subject to change without notice.

www.nxp.com

NXP and the NXP logo are trademarks of NXP B.V. All other product or service names are the property of their respective owners. The related technology may be protected by any or all of patents, copyrights, designs and trade secrets. All rights reserved. © 2024 NXP B.V.