



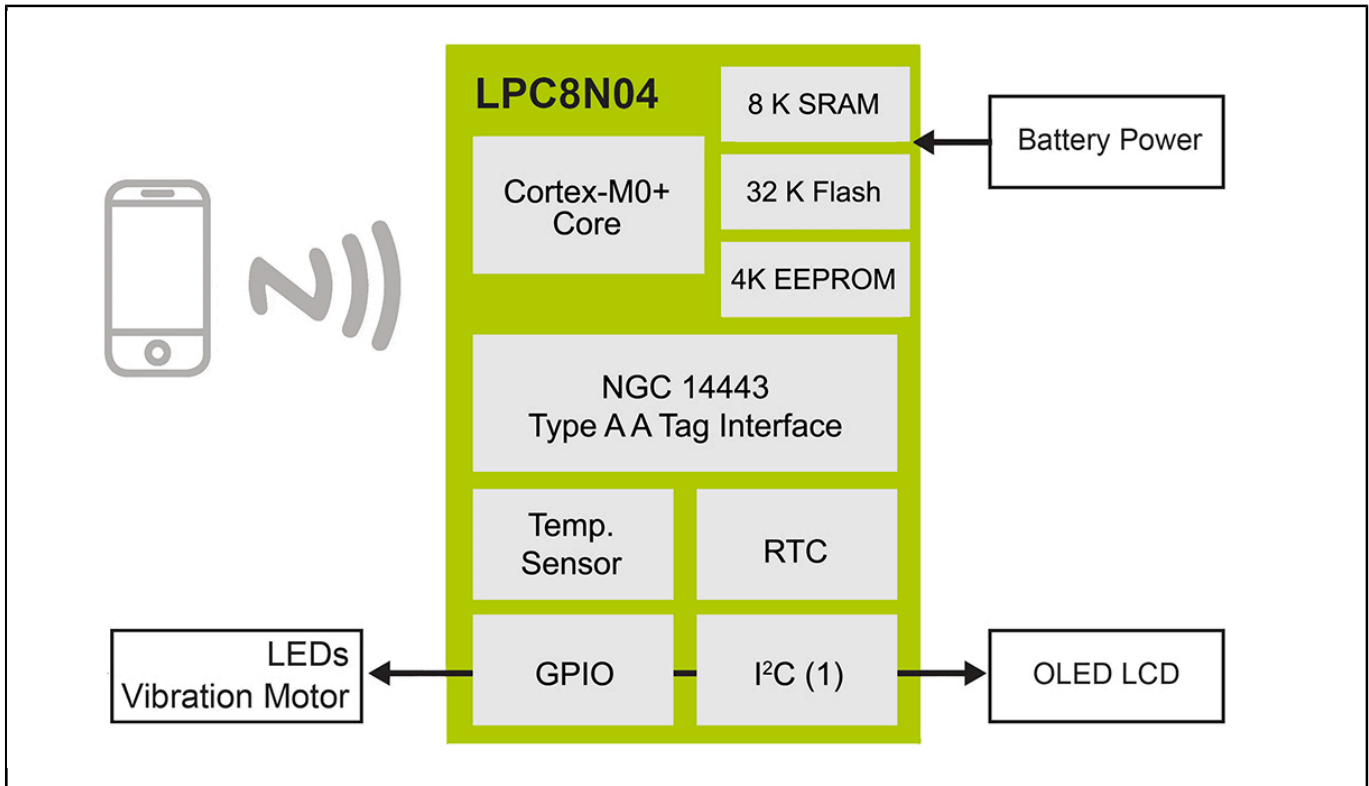
LPC8N04 MCU-based IoT Sensor Node with Integrated NFC

IoT-Sensor-Node-with-Integrated-NFC

Last Updated: Jun 8, 2023

The LPC8N04 MCU-based IoT sensor node with integrated NFC is a battery-powered single-chip reference design. It has been designed to incorporate NFC tagging capabilities while providing the functionalities of a microcontroller. This combination allows easy read/write capabilities and enables the possibility to add external sensors used for IoT applications in a low cost and low power solution.

IoT Sensor Node with Integrated NFC Block Diagram Block Diagram



View additional information for [LPC8N04 MCU-based IoT Sensor Node with Integrated NFC](#).

Note: The information on this document is subject to change without notice.

www.nxp.com

NXP and the NXP logo are trademarks of NXP B.V. All other product or service names are the property of their respective owners. The related technology may be protected by any or all of patents, copyrights, designs and trade secrets. All rights reserved. © 2024 NXP B.V.