



# 12-Bit GTL-/GTL/GTL+-to-LVTTL Translator

## GTL2107PW

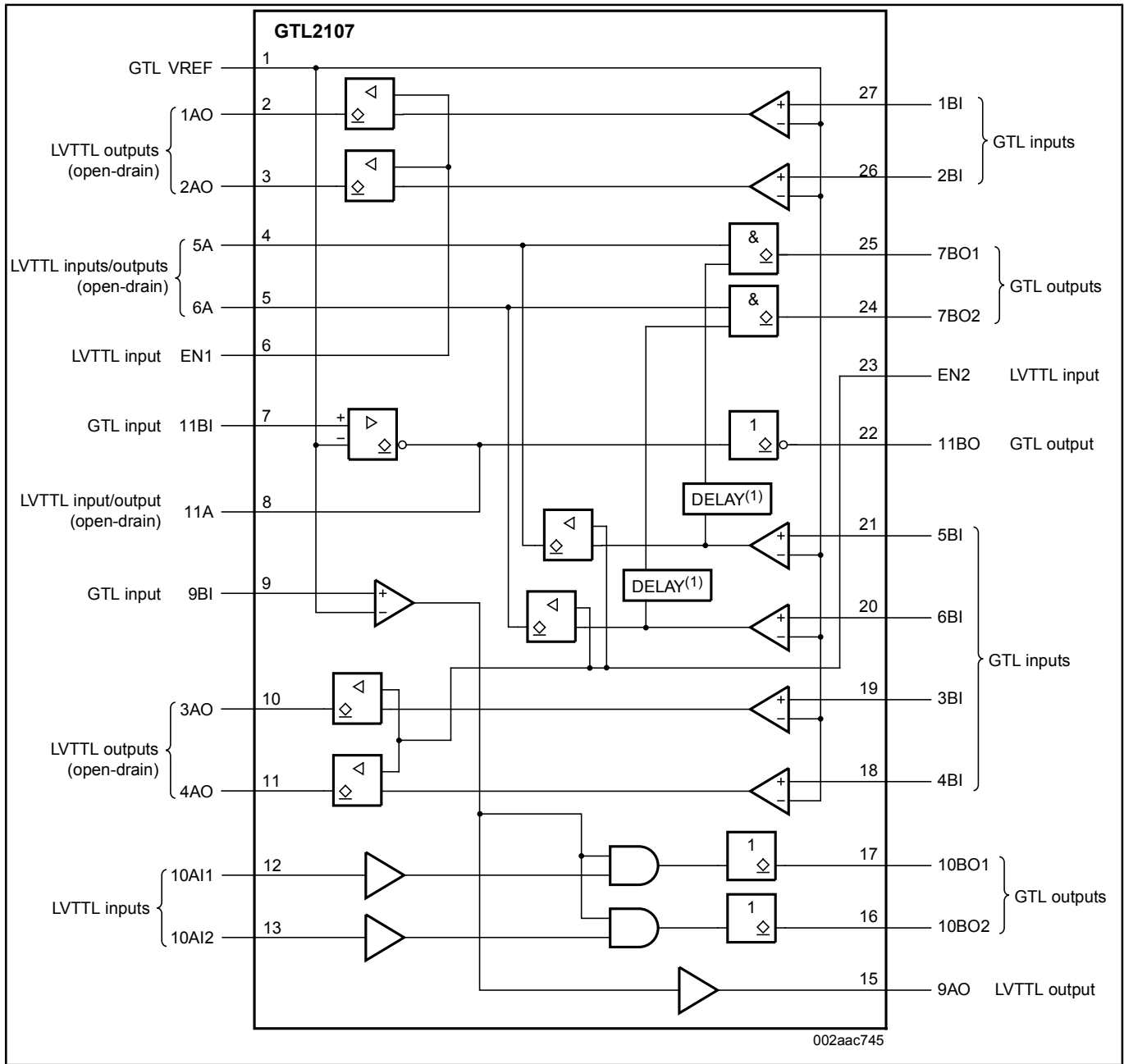
アーカイブス

このページには、製造中止（生産終了）となった製品の情報が記載されています。本ページに記載されている仕様および情報は、過去の参考情報です。

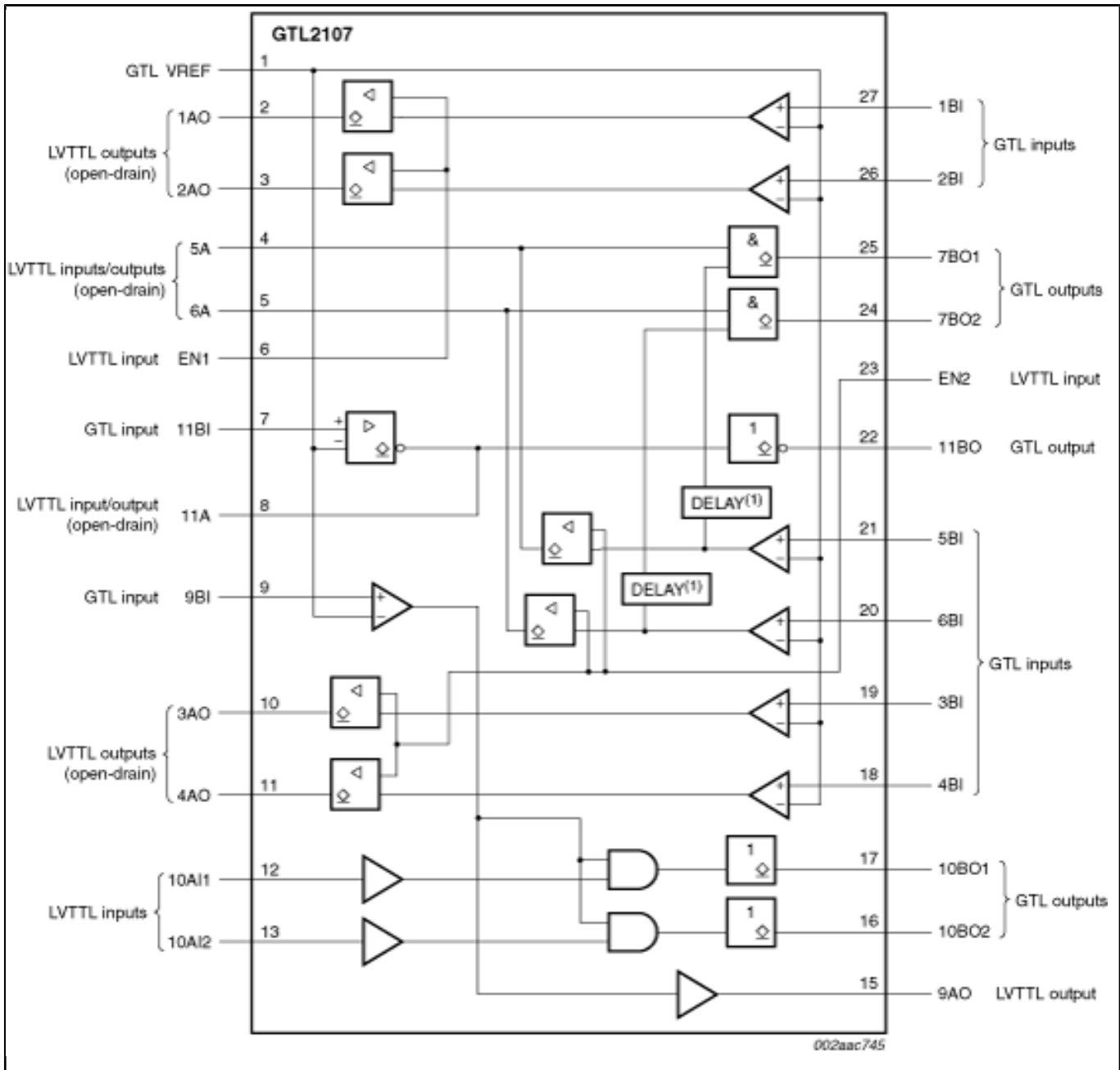
Last Updated: Jun 14, 2023

The GTL2107 is a customized translator between dual Xeon processors, GTL-/GTL/GTL+ I/O and the Platform Health Management, South Bridge and Power Supply 3.3 V LVTTL and GTL signals.

# GTL2107 Block Diagram Block Diagram



Block diagram: GTL2107PW Block Diagram



View additional information for [12-Bit GTL-/GTL+/to-LVTTL Translator](#).

Note: The information on this document is subject to change without notice.

[www.nxp.com](http://www.nxp.com)

NXP and the NXP logo are trademarks of NXP B.V. All other product or service names are the property of their respective owners. The related technology may be protected by any or all of patents, copyrights, designs and trade secrets. All rights reserved. © 2024 NXP B.V.