



FRDM-IMX95 PRO Development Board

FRDM-IMX95-PRO NEW

Preproduction

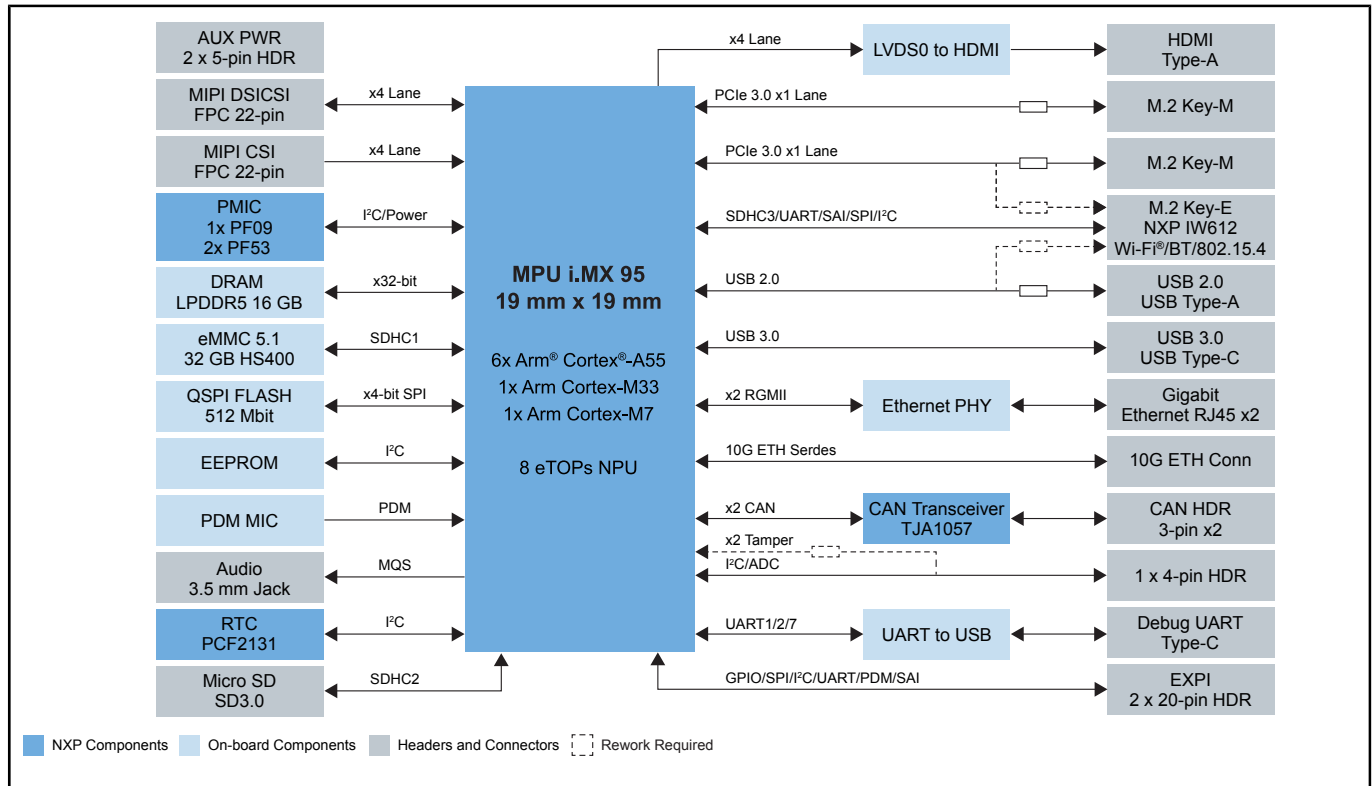
本ページには、試作段階の製品に関する情報が含まれています。記載されている仕様および情報は、予告なく変更される場合があります。詳細については、担当営業までお問い合わせください。

Last Updated: Jul 2, 2026

The FRDM i.MX 95 Pro development board is a low-cost, compact development board built on the powerful i.MX95 applications processor in a 19 mm × 19 mm package. Designed for rapid prototyping and evaluation, it delivers advanced AI acceleration, rich multimedia performance, integrated Wi-Fi 6 Tri-Band connectivity and two M.2 Key-M connectors supporting ARA240 DNPU modules or SSD expansion, making it ideal for modern edge designs.

With flexible expansion interfaces, comprehensive software enablement and integrated GoPoint, an intuitive demo interface that simplifies exploring key use cases, the FRDM i.MX 95 Pro development board is perfectly suited for advanced HMI systems, industrial networking, robotics, edge gateways, vision processing and AI driven applications.

FRDM-IMX95-PRO Block Diagram



View additional information for [FRDM-IMX95 PRO Development Board](#).

Note: The information on this document is subject to change without notice.

www.nxp.com

NXP and the NXP logo are trademarks of NXP B.V. All other product or service names are the property of their respective owners. The related technology may be protected by any or all of patents, copyrights, designs and trade secrets. All rights reserved. © 2026 NXP B.V.