



# WLAN LNA + Switch

## BGS8424

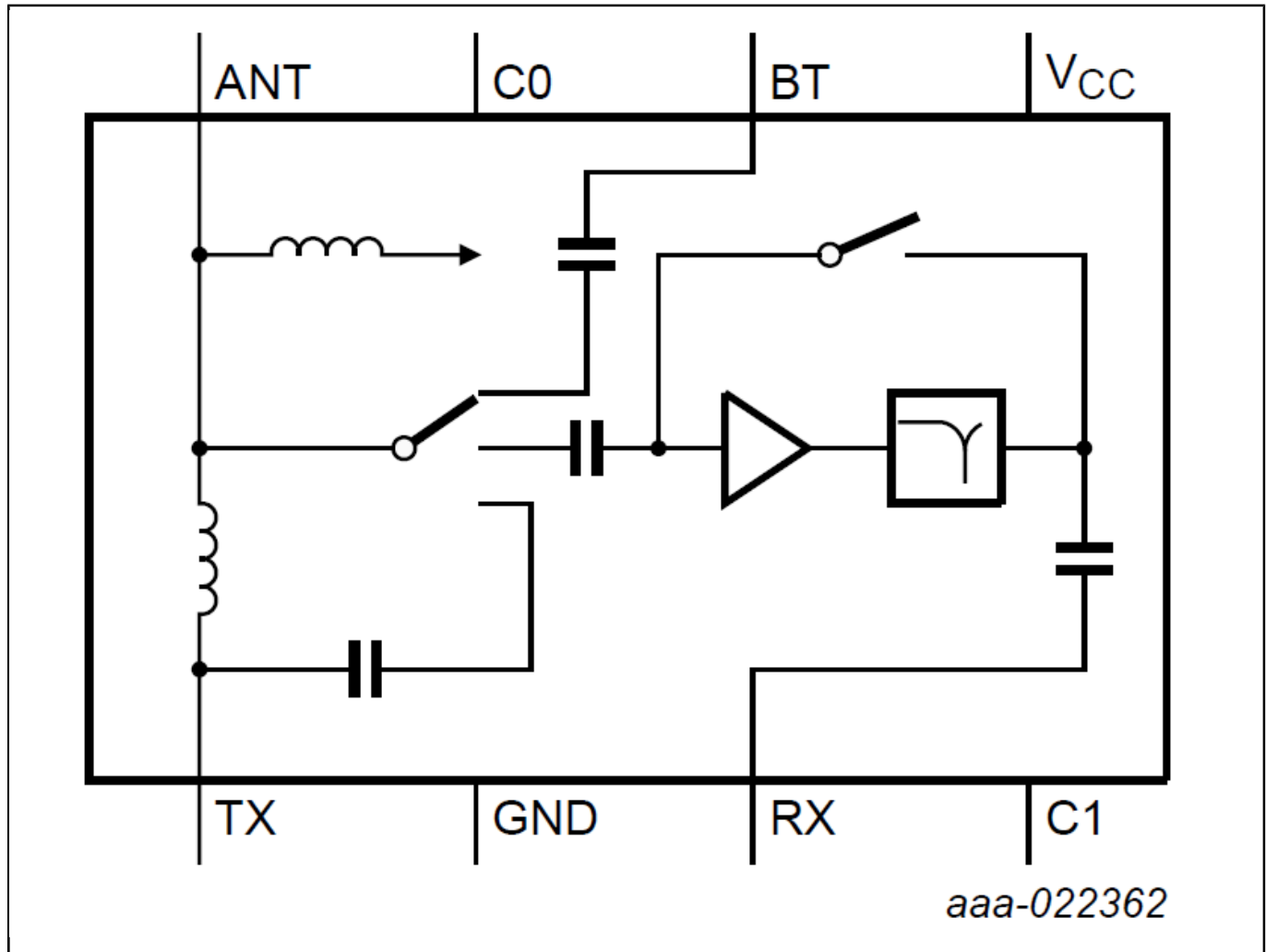
Last Updated: May 15, 2024

The BGS8424 is, also known as the WLAN3101H, a fully integrated MMIC low-noise amplifier, and SP3T switch for Bluetooth® path and transmit path. For WLAN applications in the 2.4 GHz to 2.5 GHz ISM band. Manufactured using the high performance QUBiC eighth generation SiGe:C technology of NXP®.

The BGS8424 couples good noise figure, linearity, efficiency, low insertion loss. Also the CMOS switches with the process stability and ruggedness are the hallmarks of the SiGe:C technology.

The BGS8424 has a 1.5 mm × 1.5 mm footprint HX2SON8 package and a maximum thickness of 330 µm.

## BGS8424 Functional diagram Block Diagram



View additional information for [WLAN LNA + Switch](#).

**Note:** The information on this document is subject to change without notice.

**www.nxp.com**

NXP and the NXP logo are trademarks of NXP B.V. All other product or service names are the property of their respective owners. The related technology may be protected by any or all of patents, copyrights, designs and trade secrets. All rights reserved. © 2024 NXP B.V.